

Specialty Cartridges

*Powered by Sun **QuickPrint**,
your on-demand, customized catalogue solution.*

This information is subject to change without notice. Visit www.sunhydraulics.com for complete and up to date information.

QPAA	15%, accumulator sense, pump unload valve - pilot capacity1
QPAB	20%, accumulator sense, pump unload valve - pilot capacity2
QPAC	30%, accumulator sense, pump unload valve - pilot capacity3
QPAD	50%, accumulator sense, pump unload valve - pilot capacity4
QCDA	15%, accumulator sense, pump unload valve with check - pilot capacity5
QCDB	20%, accumulator sense, pump unload valve with check - pilot capacity6
QCDC	30%, accumulator sense, pump unload valve with check - pilot capacity7
QCDD	50%, accumulator sense, pump unload valve with check - pilot capacity8
NQEB	Air bleed and start-up valve9
XZCC	Flush mount, all ports blocked cavity plug10
XAOA	All ports open cavity plug11
XBOB	All ports open cavity plug12
XCOA	All ports open cavity plug13
XEOB	All ports open cavity plug14
XFOA	All ports open cavity plug15
XHOB	All ports open cavity plug16
XIOA	All ports open cavity plug17
XJOB	All ports open cavity plug18
XKOA	All ports open cavity plug19
XMOB	All ports open cavity plug20
XZOA	All ports open cavity plug21

XZOC	Flush mount, all ports open cavity plug22
XZOD	All ports open cavity plug23
XACAE	Port 1 to external port, port 2 blocked cavity plug24
XFCAE	Port 1 to external port, port 2 blocked cavity plug25
XGCAE	Port 1 to external port, port 2 blocked cavity plug26
XACC	Port 2 to external port, port 1 blocked cavity plug27
XACA	All ports blocked cavity plug28
XACB	All ports blocked cavity plug29
XBCA	All ports blocked cavity plug30
XCCA	All ports blocked cavity plug31
XDCA	All ports blocked cavity plug32
XECA	All ports blocked cavity plug33
XFCA	All ports blocked cavity plug34
XGCA	All ports blocked cavity plug35
XHCA	All ports blocked cavity plug36
XICA	All ports blocked cavity plug37
XJCA	All ports blocked cavity plug38
XKCA	All ports blocked cavity plug39
XMCA	All ports blocked cavity plug40
XNCA	All ports blocked cavity plug41
XPCA	All ports blocked cavity plug42

XQCA	All ports blocked cavity plug	43
XRCA	All ports blocked cavity plug	44
XRCC	All ports blocked cavity plug	45
XSCA	All ports blocked cavity plug	46
XSCC	All ports blocked cavity plug	47
XTCA	All ports blocked cavity plug	48
XTCC	All ports blocked cavity plug	49
XVCA	All ports blocked cavity plug	50
XVCC	All ports blocked cavity plug	51
XYCA	All ports blocked cavity plug	52
XZCA	All ports blocked cavity plug	53
XZCB	All ports blocked cavity plug	54
XACBE	Port 1 to external port, ports 2 and 3 blocked cavity plug	55
XAOB	Port 1 to 2 open, port 3 blocked cavity plug	56
XBOA	Port 1 to 2 open, port 3 blocked cavity plug	57
XEOA	Port 1 to 2 open, port 3 blocked cavity plug	58
XHOA	Port 1 to 2 open, port 3 blocked cavity plug	59
XJOA	Port 1 to 2 open, port 3 blocked cavity plug	60
XZOB	Port 1 to 2 open, port 3 blocked cavity plug	61
XAOC	Port 1 to 3 open, port 2 blocked cavity plug	62
XBBA	Port 1 to 3 open, port 2 blocked cavity plug	63

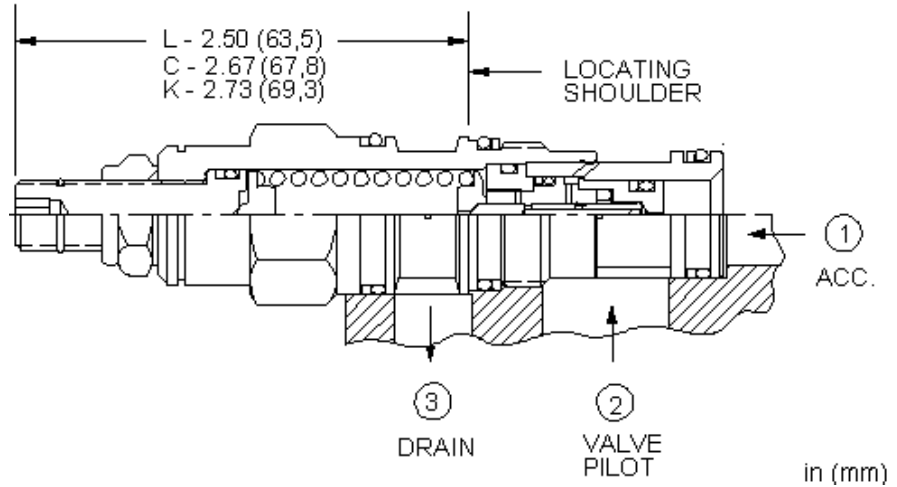
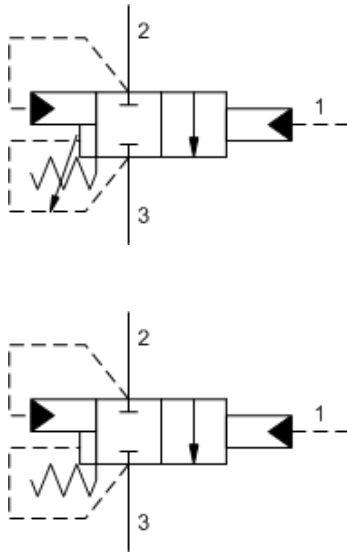
XEBA	Port 1 to 3 open, port 2 blocked cavity plug64
XHBA	Port 1 to 3 open, port 2 blocked cavity plug65
XJBA	Port 1 to 3 open, port 2 blocked cavity plug66
XZBA	Port 1 to 3 open, port 2 blocked cavity plug67
XBAA	Port 2 to 3 open, port 1 blocked cavity plug68
XEAA	Port 2 to 3 open, port 1 blocked cavity plug69
XZAA	Port 2 to 3 open, port 1 blocked cavity plug70
XMOA	Ports 3 and 4 or port 5 and 6 blocked, all other ports open cavity plug71
XNOA	Ports 3 and 4 or port 5 and 6 blocked, all other ports open cavity plug72
XPOA	Ports 3 and 4 or port 5 and 6 blocked, all other ports open cavity plug73
XQOA	Ports 3 and 4 or port 5 and 6 blocked, all other ports open cavity plug74
XMBA	Port 1 to 3 open, ports 2 and 4 blocked, cavity plug75
XFAA	T-10A cavity to T-8A cavity converter76
XFAB	T-10A cavity to T-8A cavity converter with filter screen77
XGAA	T-13A cavity to T-8A cavity converter78
XJOC	T-19A cavity to T-17A cavity converter79
XPOC	T-23A cavity to T-21A cavity or T-22A cavity converter80
FQBA	Fixed orifice, flow fuse valve81
FQCA	Fixed orifice, flow fuse valve82
FQEA	Fixed orifice, flow fuse valve83
FQGA	Fixed orifice, flow fuse valve84

FQIA	Fixed orifice, flow fuse valve	85
FLDA	Filter	86
FLFA	Filter	87
FLHA	Filter	88
FLJA	Filter	89
HPUA	Hand pump	90
XHOAE	Ports 1 and 2 to external port, port 3 blocked cavity plug	91
XHOC	T-17A cavity to T-11A cavity converter	92
XIOAF	T-16A cavity to T-10A cavity converter	93
XIOAG	T-16A cavity to T-13A cavity converter	94
XIOC	T-16A cavity to T-5A cavity converter	95
XIOCC	T-16A cavity to T-3A cavity converter	96
XQOC	T-24A cavity to T-23A cavity converter	97
XROS	Port 1 open to 2 and port 3 open to 4 cavity plug	98

Series	Ports	Cavities
Series Z Cartridges 3/8-24 UNF Cartridge Thread 5 mm Valve Hex Size 11 - 14 Nm Valve Installation Torque	3-Port	T-382A
Series P Cartridges M16 Cartridge Thread 22,2 mm Valve Hex Size 27 - 33 Nm Valve Installation Torque	2-Port 2-Port (Deep) 3-Port	T-8A T-8DP T-9A
Series O Cartridges M16 Cartridge Thread 19,1 mm Valve Hex Size 25,4 mm Valve Hex Size 27 - 33 Nm Valve Installation Torque	2-Port 2-Port (Deep) 3-Port 3-Port 4-Port	T-162A T-162DP T-150A T-163A T-30A
Series OC Cartridges 3/4-16 UNF Cartridge Thread 22,2 mm Valve Hex Size 19-22 lbf ft Valve Installation Torque	4-Port (Common)	SC-08-04
Series 1 Cartridges M20 Cartridge Thread 22,2 mm Valve Hex Size 41 - 47 Nm Valve Installation Torque	2-Port 2-Port 3-Port 4-Port 4-Port 6-Port	T-10A T-13A T-11A T-21A T-31A T-61A
Series 1C Cartridges 7/8-14 UNF Cartridge Thread 25,4 mm Valve Hex Size 23-26 lbf ft Valve Installation Torque	2-Port (Common) 4-Port (Common)	SC-10-02 SC-10-04
Series 2 Cartridges 1"-14 UNS Cartridge Thread 28,6 mm Valve Hex Size 61 - 68 Nm Valve Installation Torque	2-Port 2-Port 3-Port 4-Port 4-Port 4-Port (Dual path) 6-Port 6-Port	T-3A T-5A T-2A T-22A T-32A T-52AD T-52A T-62A
Series 3 Cartridges M36 Cartridge Thread 31,8 mm Valve Hex Size 203 - 217 Nm Valve Installation Torque	2-Port 3-Port 4-Port 4-Port 4-Port (Dual path) 6-Port 6-Port	T-16A T-17A T-23A T-33A T-53AD T-53A T-63A
Series 4 Cartridges M48 Cartridge Thread	2-Port 2-Port (Undercut)	T-18A T-18AU

41,3 mm Valve Hex Size
474 - 508 Nm Valve Installation Torque

3-Port	T-19A
3-Port (Undercut)	T-19AU
4-Port	T-24A
4-Port (Undercut)	T-24AU
4-Port	T-34A
4-Port (Dual path)	T-54AD
6-Port	T-54A
6-Port	T-64A



The accumulator sense, pump unload pilot valve is used to sense pressure in an accumulator at port 1 of the valve and when the pressure at port 1 reaches the valve setting, port 2 connects to port 3 to vent a relief valve and unload the pump. This valve has a 15% ratio between unload setting and reset; when pressure at port 1 falls below 85% of the valve setting, port 2 is blocked from port 3 and the pump will come back online to recharge the accumulator.

This valve requires a separate check valve between port 1 and the pump. Another version of the accumulator sense, pump unload valve, QCDA, includes a free-flow check valve for pump flows under 12 gpm (50 L/min).

TECHNICAL DATA

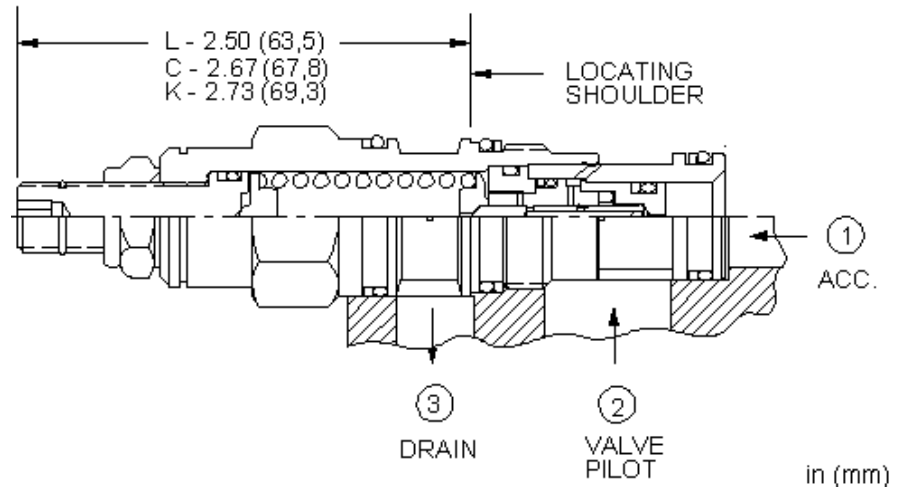
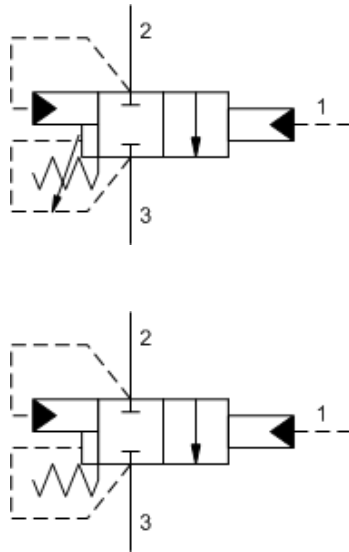
NOTE: DATA MAY VARY BY CONFIGURATION. SEE CONFIGURATION SECTION.

Maximum Operating Pressure	5000 psi
Pilot Flow Capacity	46 in ³ /min.
Adjustment - No. of CW Turns from Min. to Max. setting	5
Locknut Hex Size	9/16 in.
Locknut Torque	80 - 90 lbf in.
Seal kit - Cartridge	Buna: 990011007
Seal kit - Cartridge	Polyurethane: 990011002
Seal kit - Cartridge	Viton: 990011006

CONFIGURATION OPTIONS

Model Code Example: QPAALAN

CONTROL	(L) ADJUSTMENT RANGE	(A) SEAL MATERIAL	(N) MATERIAL/COATING
L Standard Screw Adjustment	A 1000 - 3000 psi (70 - 210 bar), 1000 psi (70 bar) Standard Setting	N Buna-N	Standard Material/Coating
C Tamper Resistant - Factory Set	B 500 - 1500 psi (35 - 105 bar), 500 psi (35 bar) Standard Setting	V Viton	/LH Mild Steel, Zinc-Nickel
	C 2000 - 5000 psi (140 - 350 bar), 2000 psi (140 bar) Standard Setting		
	D 250 - 800 psi (18 - 55 bar), 250 psi (18 bar) Standard Setting		



The accumulator sense, pump unload pilot valve is used to sense pressure in an accumulator at port 1 of the valve and when the pressure at port 1 reaches the valve setting, port 2 connects to port 3 to vent a relief valve and unload the pump. This valve has a 20% ratio between unload setting and reset; when pressure at port 1 falls below 80% of the valve setting, port 2 is blocked from port 3 and the pump will come back online to recharge the accumulator.

This valve requires a separate check valve between port 1 and the pump. Another version of the accumulator sense, pump unload valve, QCDB, includes a free-flow check valve for pump flows under 12 gpm (50 L/min).

TECHNICAL DATA

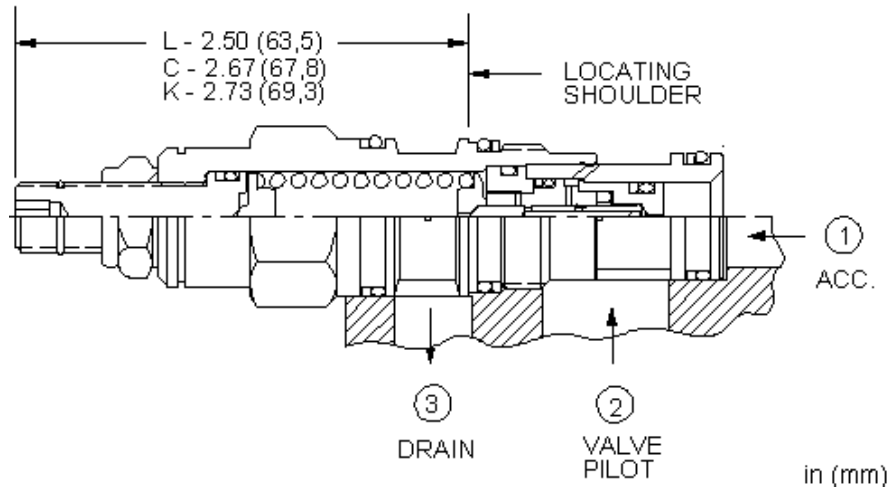
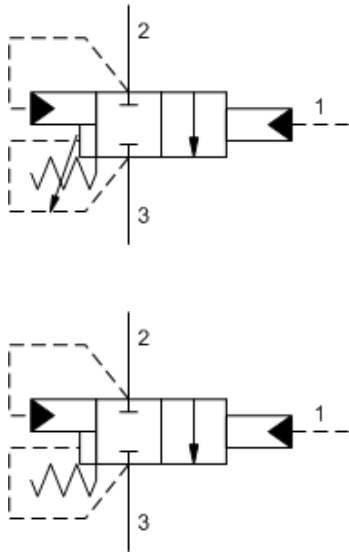
NOTE: DATA MAY VARY BY CONFIGURATION. SEE CONFIGURATION SECTION.

Maximum Operating Pressure	5000 psi
Pilot Flow Capacity	46 in ³ /min.
Adjustment - No. of CW Turns from Min. to Max. setting	5
Locknut Hex Size	9/16 in.
Locknut Torque	80 - 90 lbf in.
Seal kit - Cartridge	Buna: 990011007
Seal kit - Cartridge	Polyurethane: 990011002
Seal kit - Cartridge	Viton: 990011006

CONFIGURATION OPTIONS

Model Code Example: QPABLAN

CONTROL	(L) ADJUSTMENT RANGE	(A) SEAL MATERIAL	(N) MATERIAL/COATING
L Standard Screw Adjustment	A 1000 - 3000 psi (70 - 210 bar), 1000 psi (70 bar) Standard Setting	N Buna-N	Standard Material/Coating
C Tamper Resistant - Factory Set	B 500 - 1500 psi (35 - 105 bar), 500 psi (35 bar) Standard Setting	V Viton	/LH Mild Steel, Zinc-Nickel
	C 2000 - 5000 psi (140 - 350 bar), 2000 psi (140 bar) Standard Setting		
	D 250 - 800 psi (18 - 55 bar), 250 psi (18 bar) Standard Setting		



The accumulator sense, pump unload pilot valve is used to sense pressure in an accumulator at port 1 of the valve and when the pressure at port 1 reaches the valve setting, port 2 connects to port 3 to vent a relief valve and unload the pump. This valve has a 30% ratio between unload setting and reset; when pressure at port 1 falls below 70% of the valve setting, port 2 is blocked from port 3 and the pump will come back online to recharge the accumulator.

This valve requires a separate check valve between port 1 and the pump. Another version of the accumulator sense, pump unload valve, QCDC, includes a free-flow check valve for pump flows under 12 gpm (50 L/min).

TECHNICAL DATA

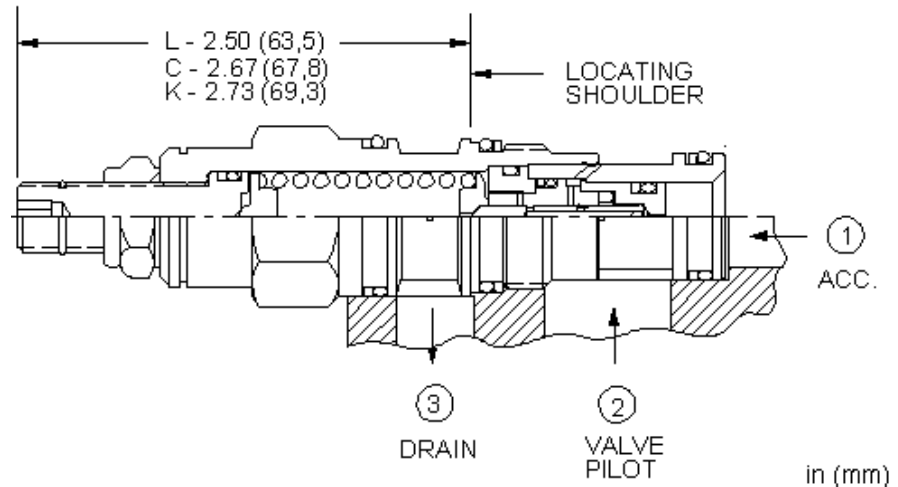
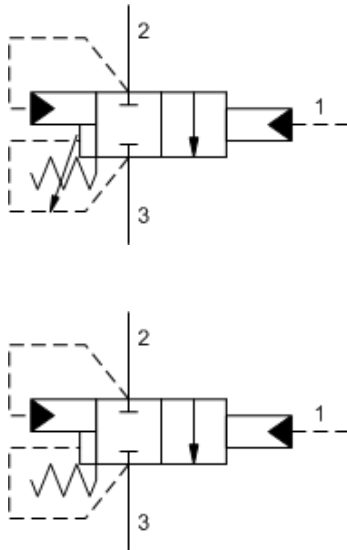
NOTE: DATA MAY VARY BY CONFIGURATION. SEE CONFIGURATION SECTION.

Maximum Operating Pressure	5000 psi
Pilot Flow Capacity	46 in ³ /min.
Adjustment - No. of CW Turns from Min. to Max. setting	5
Locknut Hex Size	9/16 in.
Locknut Torque	80 - 90 lbf in.
Seal kit - Cartridge	Buna: 990011007
Seal kit - Cartridge	Polyurethane: 990011002
Seal kit - Cartridge	Viton: 990011006

CONFIGURATION OPTIONS

Model Code Example: QPACLAN

CONTROL	(L) ADJUSTMENT RANGE	(A) SEAL MATERIAL	(N)
L Standard Screw Adjustment	A 1000 - 3000 psi (70 - 210 bar), 1000 psi (70 bar) Standard Setting	N Buna-N	
C Tamper Resistant - Factory Set	B 500 - 1500 psi (35 - 105 bar), 500 psi (35 bar) Standard Setting C 2000 - 5000 psi (140 - 350 bar), 2000 psi (140 bar) Standard Setting D 250 - 800 psi (18 - 55 bar), 250 psi (18 bar) Standard Setting	V Viton	



The accumulator sense, pump unload pilot valve is used to sense pressure in an accumulator at port 1 of the valve and when the pressure at port 1 reaches the valve setting, port 2 connects to port 3 to vent a relief valve and unload the pump. This valve has a 50% ratio between unload setting and reset; when pressure at port 1 falls below 50% of the valve setting, port 2 is blocked from port 3 and the pump will come back online to recharge the accumulator.

This valve requires a separate check valve between port 1 and the pump. Another version of the accumulator sense, pump unload valve, QCDD, includes a free-flow check valve for pump flows under 12 gpm (50 L/min).

TECHNICAL DATA

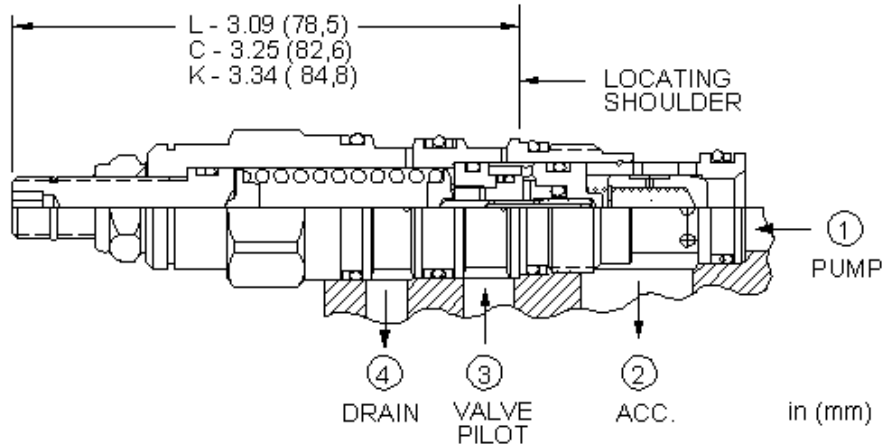
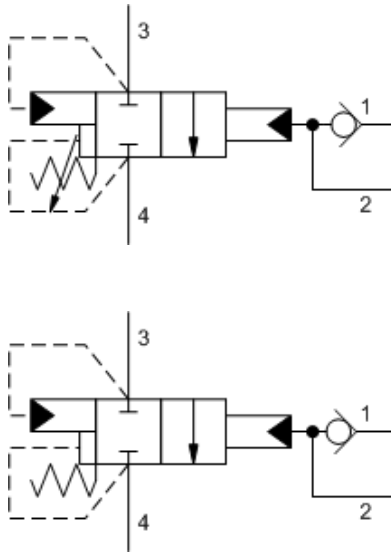
NOTE: DATA MAY VARY BY CONFIGURATION. SEE CONFIGURATION SECTION.

Maximum Operating Pressure	5000 psi
Pilot Flow Capacity	46 in ³ /min.
Adjustment - No. of CW Turns from Min. to Max. setting	5
Locknut Hex Size	9/16 in.
Locknut Torque	80 - 90 lbf in.
Seal kit - Cartridge	Buna: 990011007
Seal kit - Cartridge	Polyurethane: 990011002
Seal kit - Cartridge	Viton: 990011006

CONFIGURATION OPTIONS

Model Code Example: QPADLAN

CONTROL	(L) ADJUSTMENT RANGE	(A) SEAL MATERIAL	(N)
L Standard Screw Adjustment	A 1000 - 3000 psi (70 - 210 bar), 1000 psi (70 bar) Standard Setting	N Buna-N	
C Tamper Resistant - Factory Set	B 500 - 1500 psi (35 - 105 bar), 500 psi (35 bar) Standard Setting	V Viton	
	C 2000 - 5000 psi (140 - 350 bar), 2000 psi (140 bar) Standard Setting		
	D 250 - 800 psi (18 - 55 bar), 250 psi (18 bar) Standard Setting		



The accumulator sense, pump unload pilot valve is used to sense pressure in an accumulator at port 2 of the valve and when the pressure at port 2 reaches the valve setting, port 3 connects to port 4 to vent a relief valve and unload the pump. This valve has a 15% ratio between unload setting and reset; when pressure at port 2 falls below 85% of the valve setting, port 3 is blocked from port 4 and the pump will come back online to recharge the accumulator.

The integral free-flow check valve is suitable for pump flows up to 15 gpm (60 L/min). For higher capacity pumps, another version of accumulator sense, pump unload cartridge, QPAA, which requires a separate check cartridge is available.

TECHNICAL DATA

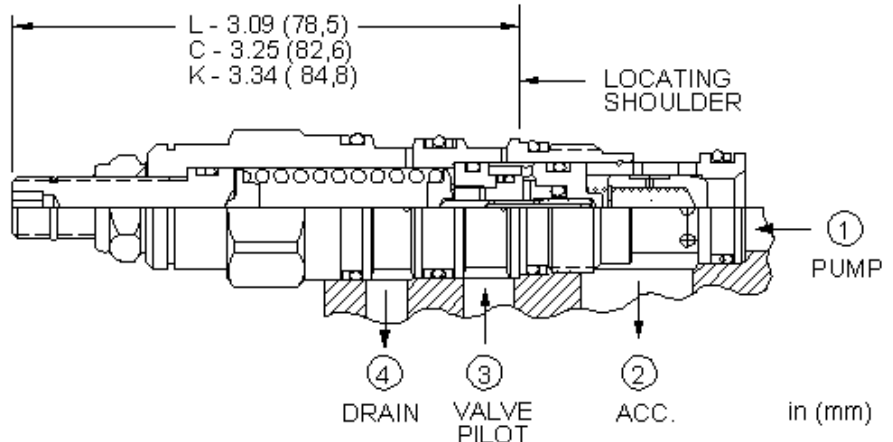
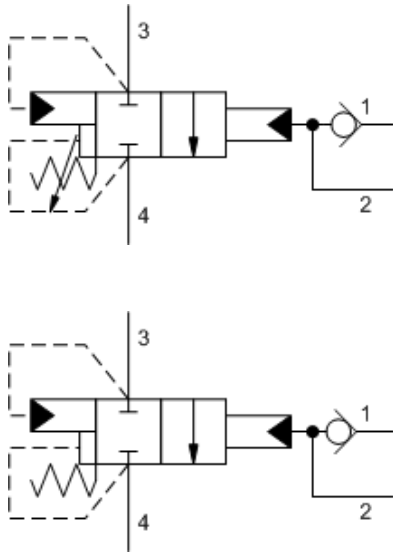
NOTE: DATA MAY VARY BY CONFIGURATION. SEE CONFIGURATION SECTION.

Maximum Operating Pressure	5000 psi
Check Cracking Pressure	4 psi
Pressure Drop, Port 1 to Port 2	100 psi@15 gpm
Pilot Flow Capacity	46 in ³ /min.
Adjustment - No. of CW Turns from Min. to Max. setting	5
Locknut Hex Size	9/16 in.
Locknut Torque	80 - 90 lbf in.
Seal kit - Cartridge	Buna: 990021007
Seal kit - Cartridge	Polyurethane: 990021002
Seal kit - Cartridge	Viton: 990021006

CONFIGURATION OPTIONS

Model Code Example: QCDALAN

CONTROL	(L) ADJUSTMENT RANGE	(A) SEAL MATERIAL	(N) MATERIAL/COATING
L Standard Screw Adjustment	A 1000 - 3000 psi (70 - 210 bar), 1000 psi (70 bar) Standard Setting	N Buna-N	Standard Material/Coating
C Tamper Resistant - Factory Set	B 500 - 1500 psi (35 - 105 bar), 500 psi (35 bar) Standard Setting C 2000 - 5000 psi (140 - 350 bar), 2000 psi (140 bar) Standard Setting D 250 - 800 psi (18 - 55 bar), 250 psi (18 bar) Standard Setting	V Viton	/AP Stainless Steel, Passivated



The accumulator sense, pump unload pilot valve is used to sense pressure in an accumulator at port 2 of the valve and when the pressure at port 2 reaches the valve setting, port 3 connects to port 4 to vent a relief valve and unload the pump. This valve has a 20% ratio between unload setting and reset; when pressure at port 2 falls below 80% of the valve setting, port 3 is blocked from port 4 and the pump will come back online to recharge the accumulator.

The integral free-flow check valve is suitable for pump flows up to 15 gpm (60 L/min). For higher capacity pumps, another version of accumulator sense, pump unload cartridge, QPAB, which requires a separate check cartridge is available.

TECHNICAL DATA

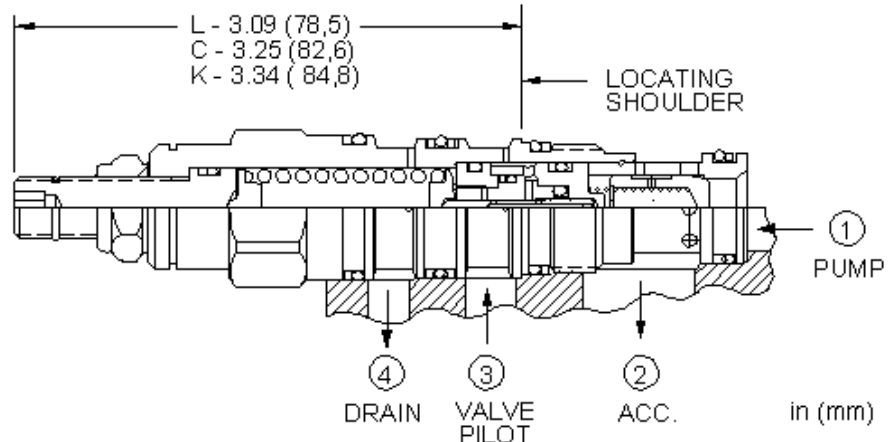
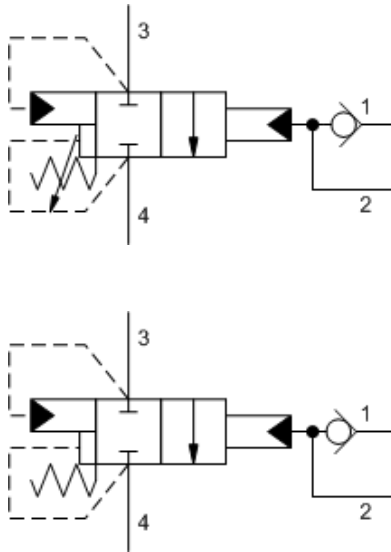
NOTE: DATA MAY VARY BY CONFIGURATION. SEE CONFIGURATION SECTION.

Maximum Operating Pressure	5000 psi
Check Cracking Pressure	4 psi
Pressure Drop, Port 1 to Port 2	100 psi@15 gpm
Pilot Flow Capacity	46 in ³ /min.
Adjustment - No. of CW Turns from Min. to Max. setting	5
Locknut Hex Size	9/16 in.
Locknut Torque	80 - 90 lbf in.
Seal kit - Cartridge	Buna: 990021007
Seal kit - Cartridge	Polyurethane: 990021002
Seal kit - Cartridge	Viton: 990021006

CONFIGURATION OPTIONS

Model Code Example: QCDBLAN

CONTROL	(L) ADJUSTMENT RANGE	(A) SEAL MATERIAL	(N) MATERIAL/COATING
L Standard Screw Adjustment	A 1000 - 3000 psi (70 - 210 bar), 1000 psi (70 bar) Standard Setting	N Buna-N	Standard Material/Coating
C Tamper Resistant - Factory Set	B 500 - 1500 psi (35 - 105 bar), 500 psi (35 bar) Standard Setting C 2000 - 5000 psi (140 - 350 bar), 2000 psi (140 bar) Standard Setting D 250 - 800 psi (18 - 55 bar), 250 psi (18 bar) Standard Setting	V Viton	/AP Stainless Steel, Passivated /LH Mild Steel, Zinc-Nickel



The accumulator sense, pump unload pilot valve is used to sense pressure in an accumulator at port 2 of the valve and when the pressure at port 2 reaches the valve setting, port 3 connects to port 4 to vent a relief valve and unload the pump. This valve has a 30% ratio between unload setting and reset; when pressure at port 2 falls below 70% of the valve setting, port 3 is blocked from port 4 and the pump will come back online to recharge the accumulator.

The integral free-flow check valve is suitable for pump flows up to 12 gpm (50 L/min). For higher capacity pumps, another version of accumulator sense, pump unload cartridge, QPAC, which requires a separate check cartridge is available.

TECHNICAL DATA

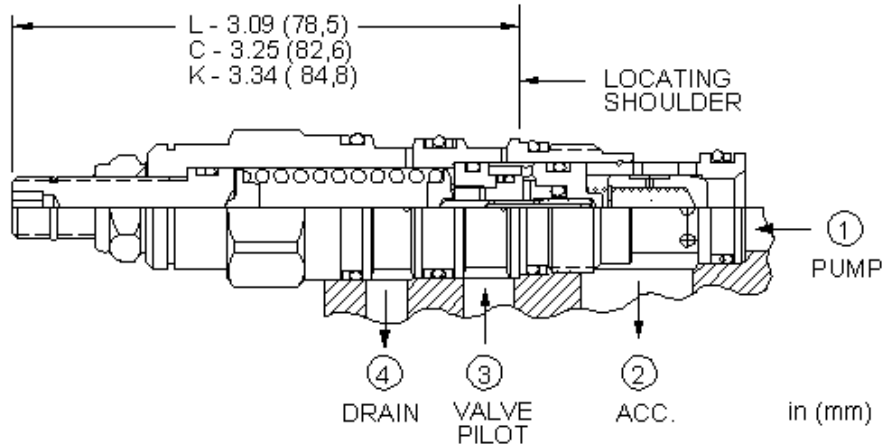
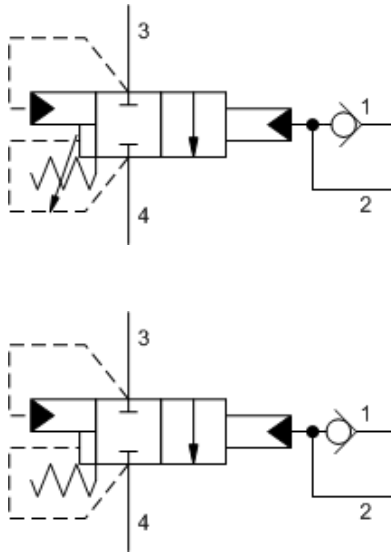
NOTE: DATA MAY VARY BY CONFIGURATION. SEE CONFIGURATION SECTION.

Maximum Operating Pressure	5000 psi
Check Cracking Pressure	4 psi
Pressure Drop, Port 1 to Port 2	100 psi@15 gpm
Pilot Flow Capacity	46 in ³ /min.
Adjustment - No. of CW Turns from Min. to Max. setting	5
Locknut Hex Size	9/16 in.
Locknut Torque	80 - 90 lbf in.
Seal kit - Cartridge	Buna: 990021007
Seal kit - Cartridge	Polyurethane: 990021002
Seal kit - Cartridge	Viton: 990021006

CONFIGURATION OPTIONS

Model Code Example: QCDCLAN

CONTROL	(L) ADJUSTMENT RANGE	(A) SEAL MATERIAL	(N)
L Standard Screw Adjustment	A 1000 - 3000 psi (70 - 210 bar), 1000 psi (70 bar) Standard Setting	N Buna-N	
C Tamper Resistant - Factory Set	B 500 - 1500 psi (35 - 105 bar), 500 psi (35 bar) Standard Setting	V Viton	
	C 2000 - 5000 psi (140 - 350 bar), 2000 psi (140 bar) Standard Setting		
	D 250 - 800 psi (18 - 55 bar), 250 psi (18 bar) Standard Setting		



The accumulator sense, pump unload pilot valve is used to sense pressure in an accumulator at port 2 of the valve and when the pressure at port 2 reaches the valve setting, port 3 connects to port 4 to vent a relief valve and unload the pump. This valve has a 50% ratio between unload setting and reset; when pressure at port 2 falls below 50% of the valve setting, port 3 is blocked from port 4 and the pump will come back online to recharge the accumulator.

The integral free-flow check valve is suitable for pump flows up to 12 gpm (50 L/min). For higher capacity pumps, another version of accumulator sense, pump unload cartridge, QPAD, which requires a separate check cartridge is available.

TECHNICAL DATA

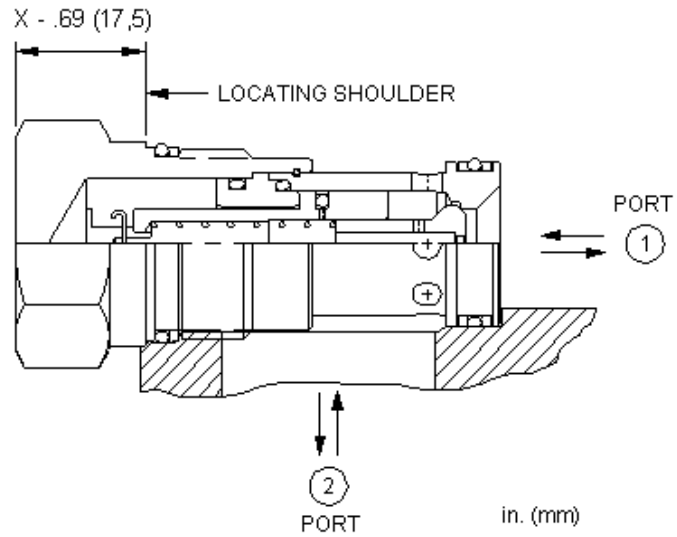
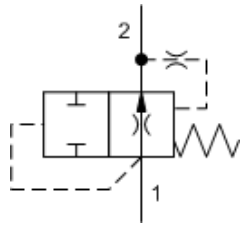
NOTE: DATA MAY VARY BY CONFIGURATION. SEE CONFIGURATION SECTION.

Maximum Operating Pressure	5000 psi
Check Cracking Pressure	4 psi
Pressure Drop, Port 1 to Port 2	100 psi@15 gpm
Pilot Flow Capacity	46 in ³ /min.
Adjustment - No. of CW Turns from Min. to Max. setting	5
Locknut Hex Size	9/16 in.
Locknut Torque	80 - 90 lbf in.
Seal kit - Cartridge	Buna: 990021007
Seal kit - Cartridge	Polyurethane: 990021002
Seal kit - Cartridge	Viton: 990021006

CONFIGURATION OPTIONS

Model Code Example: QCDDLAN

CONTROL	(L) ADJUSTMENT RANGE	(A) SEAL MATERIAL	(N)
L Standard Screw Adjustment	A 1000 - 3000 psi (70 - 210 bar), 1000 psi (70 bar) Standard Setting	N Buna-N	
C Tamper Resistant - Factory Set	B 500 - 1500 psi (35 - 105 bar), 500 psi (35 bar) Standard Setting	V Viton	
K Handknob	C 2000 - 5000 psi (140 - 350 bar), 2000 psi (140 bar) Standard Setting		
	D 250 - 800 psi (18 - 55 bar), 250 psi (18 bar) Standard Setting		



Air-bleed and start-up cartridges are used to purge air trapped in the system to help reduce power requirements and facilitate pump priming during the start-up of blocked center circuits.

TECHNICAL DATA

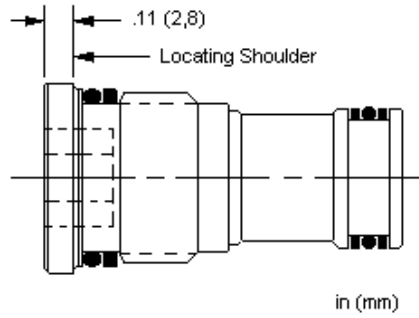
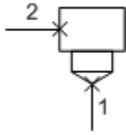
NOTE: DATA MAY VARY BY CONFIGURATION. SEE CONFIGURATION SECTION.

Maximum Operating Pressure	5000 psi
Seal kit - Cartridge	Buna: 990203007
Seal kit - Cartridge	Polyurethane: 990003002
Seal kit - Cartridge	Viton: 990203006

CONFIGURATION OPTIONS

Model Code Example: NQEBXAN

CONTROL	(X) ADJUSTMENT RANGE	(A) SEAL MATERIAL	(N) MATERIAL/COATING
X Not Adjustable	A -	N Buna-N E EPDM V Viton	Standard Material/Coating /AP Stainless Steel, Passivated /LH Mild Steel, Zinc-Nickel



This cavity plug mounts flush with the cavity and blocks all ports.

TECHNICAL DATA

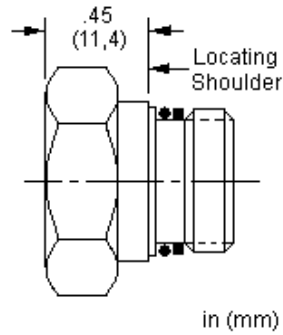
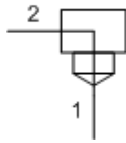
NOTE: DATA MAY VARY BY CONFIGURATION. SEE CONFIGURATION SECTION.

Maximum Operating Pressure	5000 psi
Port Configuration	2 Port
Valve Internal Hex Size	5/16 in.
Seal kit - Cartridge	Buna: 990162007
Seal kit - Cartridge	EPDM: 990162014
Seal kit - Cartridge	Polyurethane: 990162002
Seal kit - Cartridge	Viton: 990162006

CONFIGURATION OPTIONS

Model Code Example: **XZCCXXN**

CONTROL	(X)	ADJUSTMENT RANGE	(X)	SEAL MATERIAL	(N)
X -		X -		N Buna-N	
				E EPDM	
				V Viton	



This cavity plug allows all ports to remain open.

TECHNICAL DATA

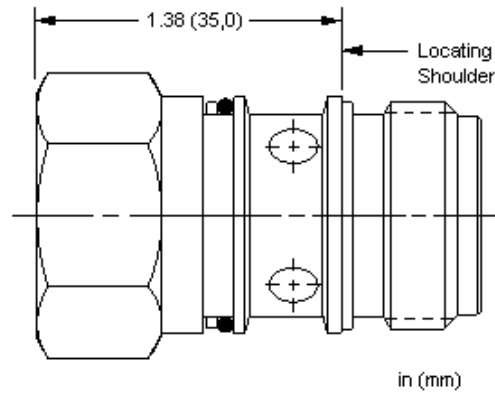
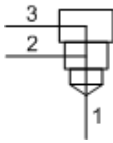
NOTE: DATA MAY VARY BY CONFIGURATION. SEE CONFIGURATION SECTION.

Maximum Operating Pressure	5000 psi
Port Configuration	2 Port
Seal kit - Cartridge	Buna: 990008007
Seal kit - Cartridge	Polyurethane: 990008002
Seal kit - Cartridge	Viton: 990008006

CONFIGURATION OPTIONS

Model Code Example: XAOAXXN

CONTROL	(X) ADJUSTMENT RANGE	(X) SEAL MATERIAL	(N) MATERIAL/COATING
X -	X -	N Buna-N E EPDM V Viton	Standard Material/Coating /AP Stainless Steel, Passivated /LH Mild Steel, Zinc-Nickel



This cavity plug allows all ports to remain open.

TECHNICAL DATA

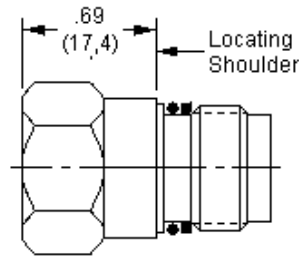
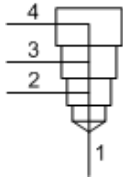
NOTE: DATA MAY VARY BY CONFIGURATION. SEE CONFIGURATION SECTION.

Maximum Operating Pressure	5000 psi
Port Configuration	3 Port
Seal kit - Cartridge	Buna: 990202007
Seal kit - Cartridge	Polyurethane: 990002002
Seal kit - Cartridge	Viton: 990202006

CONFIGURATION OPTIONS

Model Code Example: XBOBXXN

CONTROL	(X) ADJUSTMENT RANGE	(X) SEAL MATERIAL	(N) MATERIAL/COATING
X -	X -	N Buna-N V Viton	Standard Material/Coating /AP Stainless Steel, Passivated



in (mm)

These cavity plugs can be used for both two-port and four-port cavities and allow all ports to remain connected.

TECHNICAL DATA

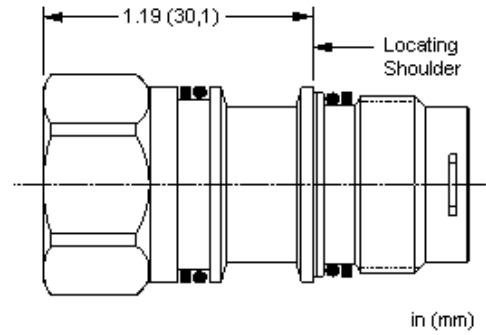
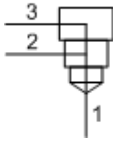
NOTE: DATA MAY VARY BY CONFIGURATION. SEE CONFIGURATION SECTION.

Maximum Operating Pressure	5000 psi
Port Configuration	2 Port / 4 Port
Seal kit - Cartridge	Buna: 990203007
Seal kit - Cartridge	Viton: 990203006

CONFIGURATION OPTIONS

Model Code Example: XCOAXXN

CONTROL	(X) ADJUSTMENT RANGE	(X) SEAL MATERIAL	(N) MATERIAL/COATING
X -	X -	N Buna-N V Viton	Standard Material/Coating /AP Stainless Steel, Passivated /LH Mild Steel, Zinc-Nickel



This cavity plug allows all ports to remain open.

TECHNICAL DATA

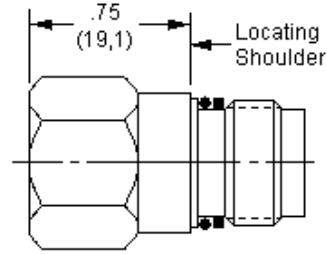
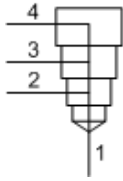
NOTE: DATA MAY VARY BY CONFIGURATION. SEE CONFIGURATION SECTION.

Port Configuration	3 Port
Seal kit - Cartridge	Buna: 990011007
Seal kit - Cartridge	EPDM: 990011014
Seal kit - Cartridge	Polyurethane: 990011002
Seal kit - Cartridge	Viton: 990011006

CONFIGURATION OPTIONS

Model Code Example: XEOBXXN

CONTROL	(X) ADJUSTMENT RANGE	(X) SEAL MATERIAL	(N) MATERIAL/COATING
X -	X -	N Buna-N E EPDM V Viton	Standard Material/Coating /AP Stainless Steel, Passivated /LH Mild Steel, Zinc-Nickel



in (mm)

These cavity plugs can be used for both two-port and four-port cavities and allow all ports to remain connected.

TECHNICAL DATA

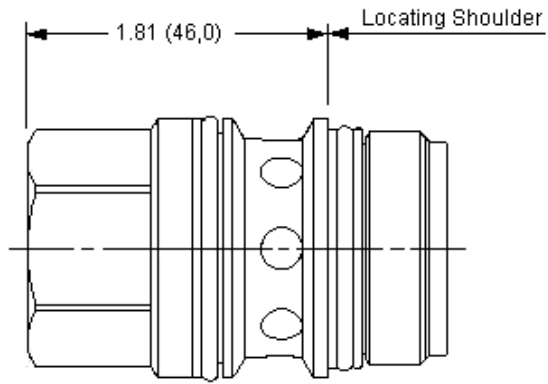
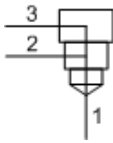
NOTE: DATA MAY VARY BY CONFIGURATION. SEE CONFIGURATION SECTION.

Maximum Operating Pressure	5000 psi
Port Configuration	2 Port / 4 Port
Seal kit - Cartridge	Buna: 990010007
Seal kit - Cartridge	Polyurethane: 990010002
Seal kit - Cartridge	Viton: 990010006

CONFIGURATION OPTIONS

Model Code Example: XFOAXXN

CONTROL	(X) ADJUSTMENT RANGE	(X) SEAL MATERIAL	(N) MATERIAL/COATING
X -	X -	N Buna-N E EPDM V Viton	Standard Material/Coating /AP Stainless Steel, Passivated /LH Mild Steel, Zinc-Nickel



in (mm)

This cavity plug allows all ports to remain open.

TECHNICAL DATA

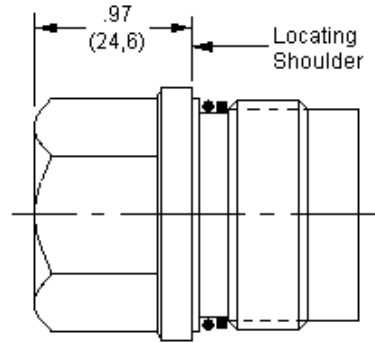
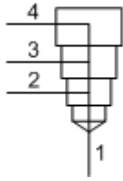
NOTE: DATA MAY VARY BY CONFIGURATION. SEE CONFIGURATION SECTION.

Port Configuration	3 Port
Seal kit - Cartridge	Buna: 990017007
Seal kit - Cartridge	EPDM: 990017014
Seal kit - Cartridge	Polyurethane: 990017002
Seal kit - Cartridge	Viton: 990017006

CONFIGURATION OPTIONS

Model Code Example: XHOBXXN

CONTROL	(X) ADJUSTMENT RANGE	(X) SEAL MATERIAL	(N) MATERIAL/COATING
X -	X -	N Buna-N E EPDM V Viton	Standard Material/Coating /AP Stainless Steel, Passivated



in (mm)

These cavity plugs can be used for both two-port and four-port cavities and allow all ports to remain connected.

TECHNICAL DATA

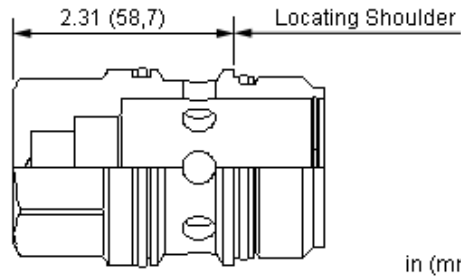
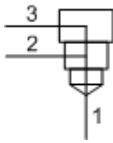
NOTE: DATA MAY VARY BY CONFIGURATION. SEE CONFIGURATION SECTION.

Maximum Operating Pressure	5000 psi
Port Configuration	2 Port / 4 Port
Seal kit - Cartridge	Buna: 990016007
Seal kit - Cartridge	EPDM: 990016014
Seal kit - Cartridge	Viton: 990016006

CONFIGURATION OPTIONS

Model Code Example: XIOAXXN

CONTROL	(X) ADJUSTMENT RANGE	(X) SEAL MATERIAL	(N) MATERIAL/COATING
X -	X -	N Buna-N E EPDM V Viton	Standard Material/Coating /AP Stainless Steel, Passivated /LH Mild Steel, Zinc-Nickel



in (mm)

This cavity plug allows all ports to remain open.

TECHNICAL DATA

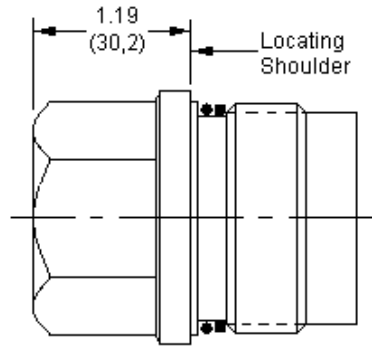
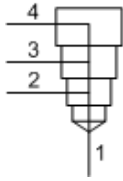
NOTE: DATA MAY VARY BY CONFIGURATION. SEE CONFIGURATION SECTION.

Maximum Operating Pressure	3000 psi
Port Configuration	3 Port
Seal kit - Cartridge	Buna: 990019007
Seal kit - Cartridge	EPDM: 990019014
Seal kit - Cartridge	Polyurethane: 990019002
Seal kit - Cartridge	Viton: 990019006

CONFIGURATION OPTIONS

Model Code Example: XJOBXXN

CONTROL	(X) ADJUSTMENT RANGE	(X) SEAL MATERIAL	(N) MATERIAL/COATING
X -	X -	N Buna-N E EPDM V Viton	Standard Material/Coating /AP Stainless Steel, Passivated



in (mm)

These cavity plugs can be used for both two-port and four-port cavities and allow all ports to remain connected.

TECHNICAL DATA

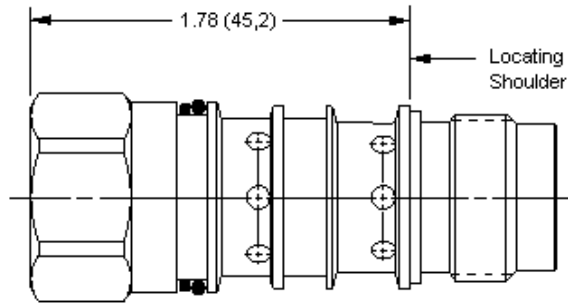
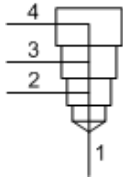
NOTE: DATA MAY VARY BY CONFIGURATION. SEE CONFIGURATION SECTION.

Maximum Operating Pressure	5000 psi
Port Configuration	2 Port / 4 Port
Seal kit - Cartridge	Buna: 990018007
Seal kit - Cartridge	EPDM: 990018014
Seal kit - Cartridge	Viton: 990018006

CONFIGURATION OPTIONS

Model Code Example: XKOAXXN

CONTROL	(X) ADJUSTMENT RANGE	(X) SEAL MATERIAL	(N) MATERIAL/COATING
X -	X -	N Buna-N E EPDM V Viton	Standard Material/Coating /AP Stainless Steel, Passivated



in (mm)

These cavity plugs can be used for both four-port and six-port cavities. In both cases, all ports remain open.

TECHNICAL DATA

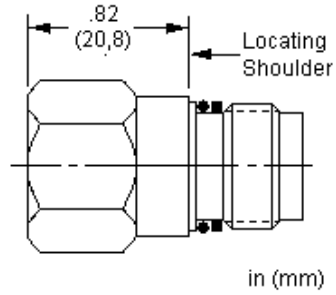
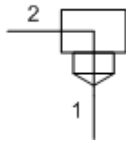
NOTE: DATA MAY VARY BY CONFIGURATION. SEE CONFIGURATION SECTION.

Maximum Operating Pressure	3000 psi
Seal kit - Cartridge	Buna: 990021007
Seal kit - Cartridge	Polyurethane: 990021002
Seal kit - Cartridge	Viton: 990021006

CONFIGURATION OPTIONS

Model Code Example: XMOBXXN

CONTROL	(X) ADJUSTMENT RANGE	(X) SEAL MATERIAL	(N)
X -	X -	N Buna-N V Viton	



This cavity plug allows all ports to remain open.

TECHNICAL DATA

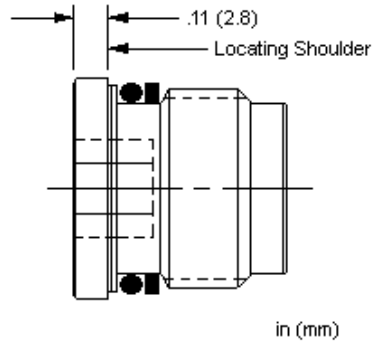
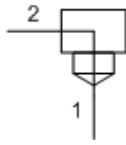
NOTE: DATA MAY VARY BY CONFIGURATION. SEE CONFIGURATION SECTION.

Maximum Operating Pressure	5000 psi
Port Configuration	2 Port
Seal kit - Cartridge	Buna: 990162007
Seal kit - Cartridge	EPDM: 990162014
Seal kit - Cartridge	Polyurethane: 990162002
Seal kit - Cartridge	Viton: 990162006

CONFIGURATION OPTIONS

Model Code Example: XZOAXXN

CONTROL	(X) ADJUSTMENT RANGE	(X) SEAL MATERIAL	(N) MATERIAL/COATING
X -	X -	N Buna-N E EPDM V Viton	Standard Material/Coating /AP Stainless Steel, Passivated /LH Mild Steel, Zinc-Nickel



This cavity plug mounts flush with the cavity and allows all ports to remain open.

TECHNICAL DATA

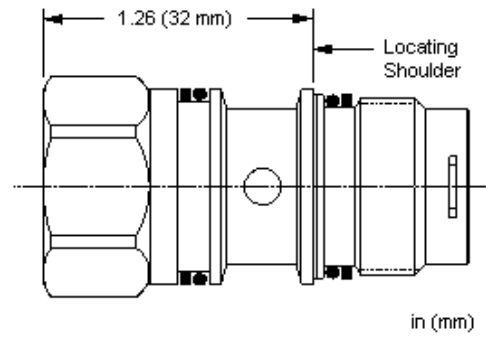
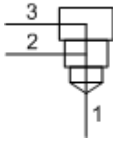
NOTE: DATA MAY VARY BY CONFIGURATION. SEE CONFIGURATION SECTION.

Maximum Operating Pressure	5000 psi
Port Configuration	2 Port
Valve Internal Hex Size	5/16 in.
Seal kit - Cartridge	Buna: 990162007
Seal kit - Cartridge	EPDM: 990162014
Seal kit - Cartridge	Polyurethane: 990162002
Seal kit - Cartridge	Viton: 990162006

CONFIGURATION OPTIONS

Model Code Example: XZOCXXN

CONTROL	(X)	ADJUSTMENT RANGE	(X)	SEAL MATERIAL	(N)
X -		X -		N Buna-N	
				E EPDM	
				V Viton	



TECHNICAL DATA

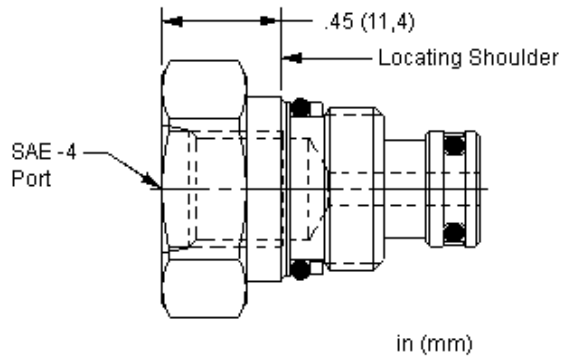
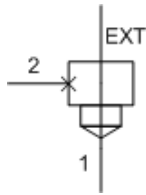
NOTE: DATA MAY VARY BY CONFIGURATION. SEE CONFIGURATION SECTION.

Maximum Operating Pressure	3000 psi
Port Configuration	3 Port
Seal kit - Cartridge	Buna: 990163007
Seal kit - Cartridge	Polyurethane: 990163002
Seal kit - Cartridge	Viton: 990163006

CONFIGURATION OPTIONS

Model Code Example: XZODXXN

CONTROL	(X) ADJUSTMENT RANGE	(X) SEAL MATERIAL	(N) MATERIAL/COATING
X -	X -	N Buna-N V Viton	Standard Material/Coating /AP Stainless Steel, Passivated



This cavity plug includes an external port open to port 1 and blocks port 2.

TECHNICAL DATA

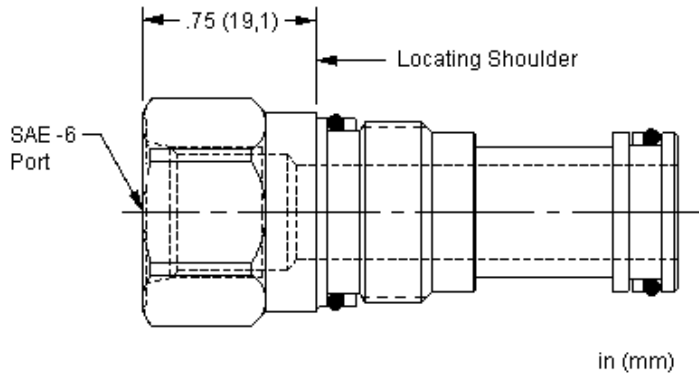
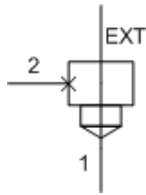
NOTE: DATA MAY VARY BY CONFIGURATION. SEE CONFIGURATION SECTION.

Maximum Operating Pressure	5000 psi
Port Configuration	2 Port
Seal kit - Cartridge	Buna: 990008007
Seal kit - Cartridge	EPDM: 990008014
Seal kit - Cartridge	Polyurethane: 990008002
Seal kit - Cartridge	Viton: 990008006

CONFIGURATION OPTIONS

Model Code Example: XACAEXN

ADJUSTMENT RANGE	(X) SEAL MATERIAL	(N) MATERIAL/COATING
X -	N Buna-N E EPDM V Viton	Standard Material/Coating /AP Stainless Steel, Passivated



This cavity plug includes an external port open to port 1 and blocks port 2.

TECHNICAL DATA

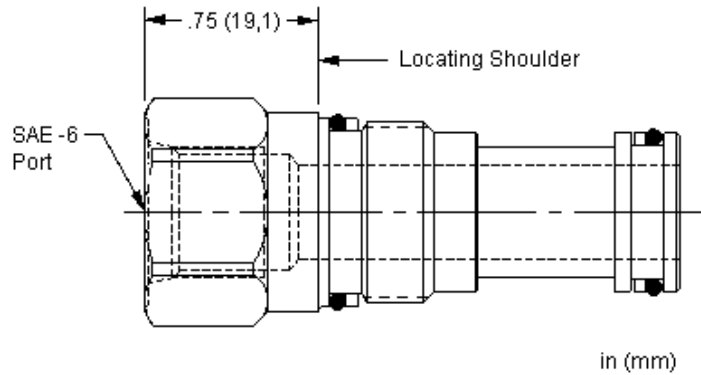
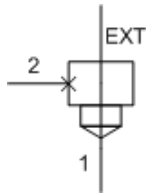
NOTE: DATA MAY VARY BY CONFIGURATION. SEE CONFIGURATION SECTION.

Port Configuration	2 Port
Seal kit - Cartridge	Buna: 990010007
Seal kit - Cartridge	Polyurethane: 990010002
Seal kit - Cartridge	Viton: 990010006

CONFIGURATION OPTIONS

Model Code Example: XFCAEXN

ADJUSTMENT RANGE	(X) SEAL MATERIAL	(N) MATERIAL/COATING
X -	N Buna-N V Viton	Standard Material/Coating /AP Stainless Steel, Passivated



This cavity plug includes an external port open to port 1 and blocks port 2.

TECHNICAL DATA

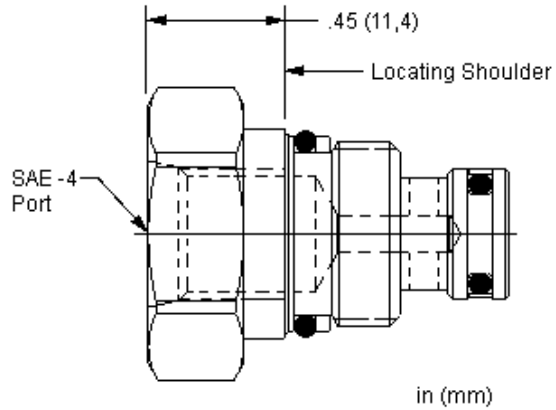
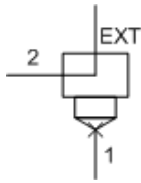
NOTE: DATA MAY VARY BY CONFIGURATION. SEE CONFIGURATION SECTION.

Maximum Operating Pressure	5000 psi
Port Configuration	2 Port
Seal kit - Cartridge	Buna: 990010007
Seal kit - Cartridge	EPDM: 990010014
Seal kit - Cartridge	Polyurethane: 990010002
Seal kit - Cartridge	Viton: 990010006

CONFIGURATION OPTIONS

Model Code Example: XGCAEXN

ADJUSTMENT RANGE	(X)	SEAL MATERIAL	(N)
X -		N Buna-N	
		E EPDM	
		V Viton	



This cavity plug includes an external port open to port 2 and blocks port 1.

TECHNICAL DATA

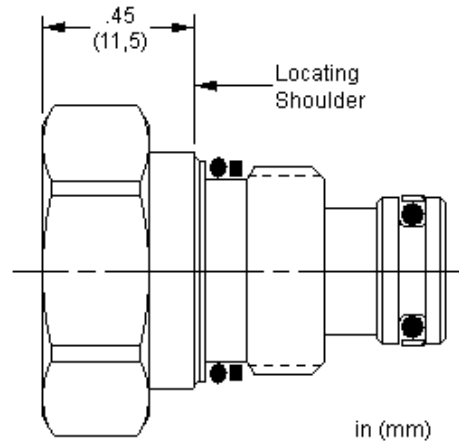
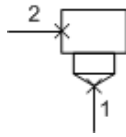
NOTE: DATA MAY VARY BY CONFIGURATION. SEE CONFIGURATION SECTION.

Maximum Operating Pressure	5000 psi
Port Configuration	2 Port
Seal kit - Cartridge	Buna: 990008007
Seal kit - Cartridge	Polyurethane: 990008002
Seal kit - Cartridge	Viton: 990008006

CONFIGURATION OPTIONS

Model Code Example: XACCEN

CONTROL	(E) ADJUSTMENT RANGE	(X) SEAL MATERIAL	(N)
E Port 2 to External 4- SAE Port	X -	N Buna-N V Viton	



This cavity plug blocks all ports.

TECHNICAL DATA

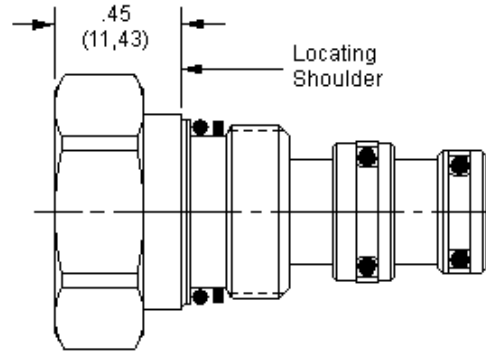
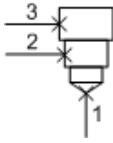
NOTE: DATA MAY VARY BY CONFIGURATION. SEE CONFIGURATION SECTION.

Maximum Operating Pressure	5000 psi
Port Configuration	2 Port
Seal kit - Cartridge	Buna: 990008007
Seal kit - Cartridge	EPDM: 990008014
Seal kit - Cartridge	Polyurethane: 990008002
Seal kit - Cartridge	Viton: 990008006

CONFIGURATION OPTIONS

Model Code Example: XACAXXN

CONTROL	(X) ADJUSTMENT RANGE	(X) SEAL MATERIAL	(N) MATERIAL/COATING
X All Ports Blocked	X -	N Buna-N E EPDM V Viton	Standard Material/Coating /AP Stainless Steel, Passivated



in (mm)

This cavity plug blocks all ports.

TECHNICAL DATA

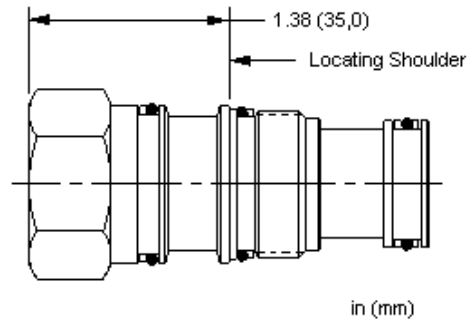
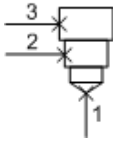
NOTE: DATA MAY VARY BY CONFIGURATION. SEE CONFIGURATION SECTION.

Maximum Operating Pressure	5000 psi
Port Configuration	3 Port
Seal kit - Cartridge	Buna: 990009007
Seal kit - Cartridge	Polyurethane: 990009002
Seal kit - Cartridge	Viton: 990009006

CONFIGURATION OPTIONS

Model Code Example: XACBXXN

CONTROL	(X)	ADJUSTMENT RANGE	(X)	SEAL MATERIAL	(N)
X -		X -		N Buna-N V Viton	



This cavity plug blocks all ports.

TECHNICAL DATA

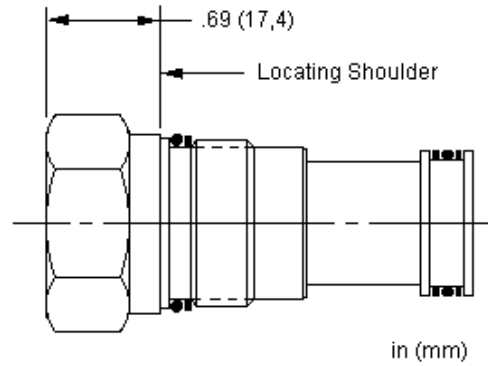
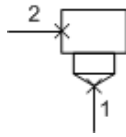
NOTE: DATA MAY VARY BY CONFIGURATION. SEE CONFIGURATION SECTION.

Maximum Operating Pressure	5000 psi
Port Configuration	3 Port
Seal kit - Cartridge	Buna: 990202007
Seal kit - Cartridge	Polyurethane: 990002002
Seal kit - Cartridge	Viton: 990202006

CONFIGURATION OPTIONS

Model Code Example: XBCAXXN

CONTROL	(X) ADJUSTMENT RANGE	(X) SEAL MATERIAL	(N) MATERIAL/COATING
X -	X -	N Buna-N V Viton	Standard Material/Coating /AP Stainless Steel, Passivated



This cavity plug blocks all ports.

TECHNICAL DATA

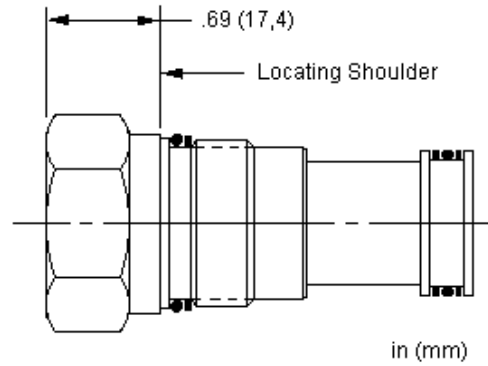
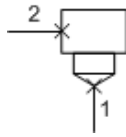
NOTE: DATA MAY VARY BY CONFIGURATION. SEE CONFIGURATION SECTION.

Maximum Operating Pressure	5000 psi
Port Configuration	2 Port
Seal kit - Cartridge	Buna: 990203007
Seal kit - Cartridge	EPDM: 990203014
Seal kit - Cartridge	Polyurethane: 990003002
Seal kit - Cartridge	Viton: 990203006

CONFIGURATION OPTIONS

Model Code Example: XCCAXXN

CONTROL	(X)	ADJUSTMENT RANGE	(X)	SEAL MATERIAL	(N)	MATERIAL/COATING
X -		X -		N Buna-N E EPDM V Viton		Standard Material/Coating /AP Stainless Steel, Passivated /LH Mild Steel, Zinc-Nickel



This cavity plug blocks all ports.

TECHNICAL DATA

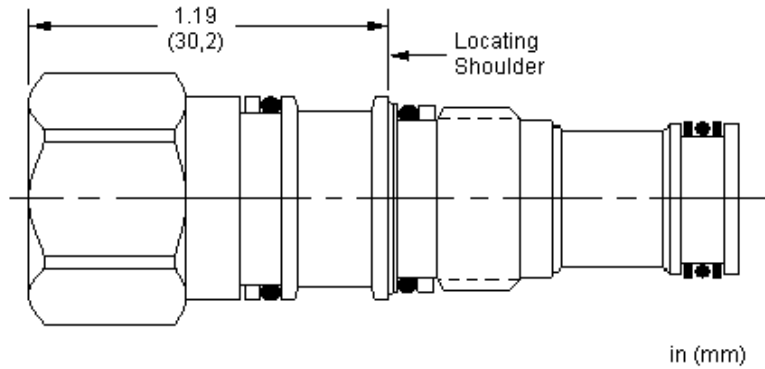
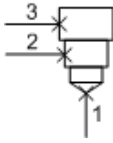
NOTE: DATA MAY VARY BY CONFIGURATION. SEE CONFIGURATION SECTION.

Maximum Operating Pressure	5000 psi
Port Configuration	2 Port
Seal kit - Cartridge	Buna: 990003007
Seal kit - Cartridge	Viton: 990003006

CONFIGURATION OPTIONS

Model Code Example: XDCAXXN

CONTROL	(X) ADJUSTMENT RANGE	(X) SEAL MATERIAL	(N) MATERIAL/COATING
X -	X -	N Buna-N V Viton	Standard Material/Coating /AP Stainless Steel, Passivated /LH Mild Steel, Zinc-Nickel



This cavity plug blocks all ports.

TECHNICAL DATA

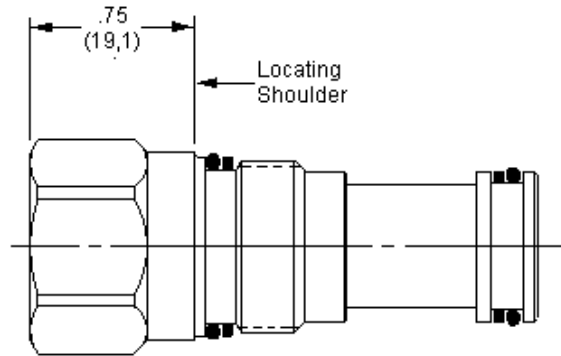
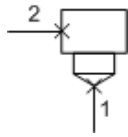
NOTE: DATA MAY VARY BY CONFIGURATION. SEE CONFIGURATION SECTION.

Port Configuration	3 Port
Seal kit - Cartridge	Buna: 990011007
Seal kit - Cartridge	Polyurethane: 990011002
Seal kit - Cartridge	Viton: 990011006

CONFIGURATION OPTIONS

Model Code Example: XECAXXN

CONTROL	(X) ADJUSTMENT RANGE	(X) SEAL MATERIAL	(N) MATERIAL/COATING
X -	X -	N Buna-N E EPDM V Viton	Standard Material/Coating /AP Stainless Steel, Passivated /LH Mild Steel, Zinc-Nickel



in (mm)

This cavity plug blocks all ports.

TECHNICAL DATA

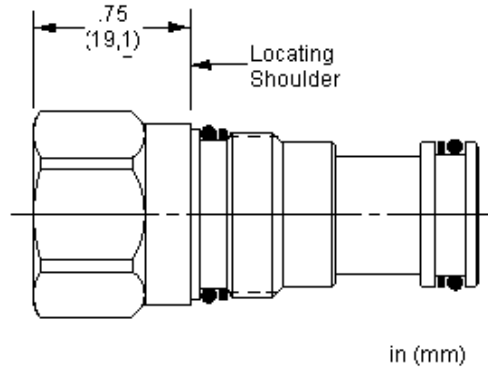
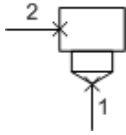
NOTE: DATA MAY VARY BY CONFIGURATION. SEE CONFIGURATION SECTION.

Maximum Operating Pressure	5000 psi
Port Configuration	2 Port
Seal kit - Cartridge	Buna: 990010007
Seal kit - Cartridge	Polyurethane: 990010002
Seal kit - Cartridge	Viton: 990010006

CONFIGURATION OPTIONS

Model Code Example: XFCAXXN

CONTROL	(X) ADJUSTMENT RANGE	(X) SEAL MATERIAL	(N) MATERIAL/COATING
X -	X -	N Buna-N V Viton	Standard Material/Coating /AP Stainless Steel, Passivated /LH Mild Steel, Zinc-Nickel



This cavity plug blocks all ports.

TECHNICAL DATA

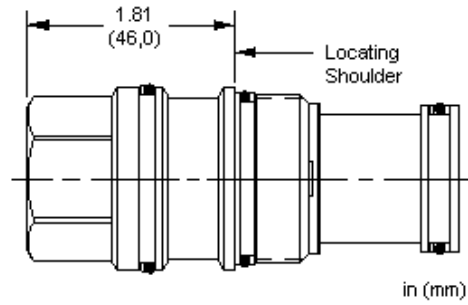
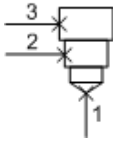
NOTE: DATA MAY VARY BY CONFIGURATION. SEE CONFIGURATION SECTION.

Maximum Operating Pressure	5000 psi
Port Configuration	2 Port
Seal kit - Cartridge	Buna: 990010007
Seal kit - Cartridge	EPDM: 990010014
Seal kit - Cartridge	Polyurethane: 990010002
Seal kit - Cartridge	Viton: 990010006

CONFIGURATION OPTIONS

Model Code Example: XGCAXXN

CONTROL	(X) ADJUSTMENT RANGE	(X) SEAL MATERIAL	(N) MATERIAL/COATING
X -	X -	N Buna-N E EPDM V Viton	Standard Material/Coating /AP Stainless Steel, Passivated /LH Mild Steel, Zinc-Nickel



This cavity plug blocks all ports.

TECHNICAL DATA

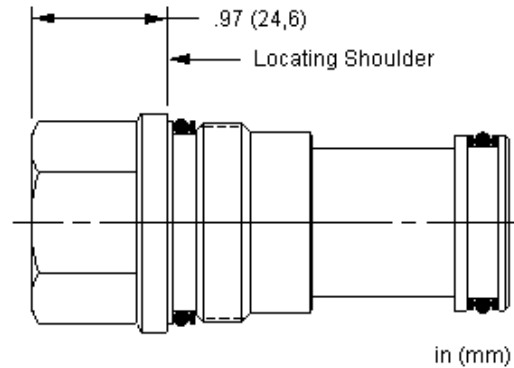
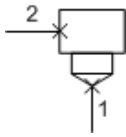
NOTE: DATA MAY VARY BY CONFIGURATION. SEE CONFIGURATION SECTION.

Maximum Operating Pressure	5000 psi
Port Configuration	3 Port
Seal kit - Cartridge	Buna: 990017007
Seal kit - Cartridge	Polyurethane: 990017002
Seal kit - Cartridge	Viton: 990017006

CONFIGURATION OPTIONS

Model Code Example: XHCAXXN

CONTROL	(X) ADJUSTMENT RANGE	(X) SEAL MATERIAL	(N) MATERIAL/COATING
X -	X -	N Buna-N E EPDM V Viton	Standard Material/Coating /AP Stainless Steel, Passivated /LH Mild Steel, Zinc-Nickel



in (mm)

This cavity plug blocks all ports.

TECHNICAL DATA

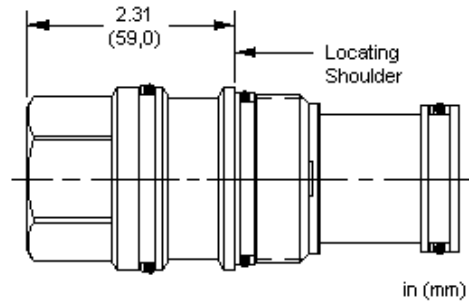
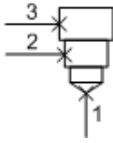
NOTE: DATA MAY VARY BY CONFIGURATION. SEE CONFIGURATION SECTION.

Maximum Operating Pressure	5000 psi
Port Configuration	2 Port
Seal kit - Cartridge	Buna: 990016007
Seal kit - Cartridge	EPDM: 990016014
Seal kit - Cartridge	Polyurethane: 990016002
Seal kit - Cartridge	Viton: 990016006

CONFIGURATION OPTIONS

Model Code Example: XICAXXN

CONTROL	(X) ADJUSTMENT RANGE	(X) SEAL MATERIAL	(N) MATERIAL/COATING
X -	X -	N Buna-N E EPDM V Viton	Standard Material/Coating /AP Stainless Steel, Passivated /LH Mild Steel, Zinc-Nickel



This cavity plug blocks all ports.

TECHNICAL DATA

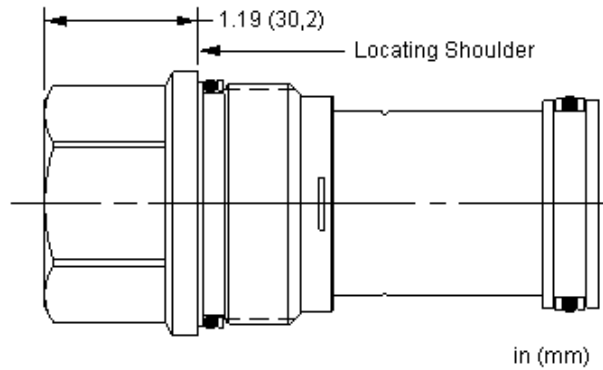
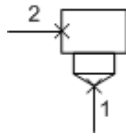
NOTE: DATA MAY VARY BY CONFIGURATION. SEE CONFIGURATION SECTION.

Maximum Operating Pressure	5000 psi
Port Configuration	3 Port
Seal kit - Cartridge	Buna: 990019007
Seal kit - Cartridge	EPDM: 990019014
Seal kit - Cartridge	Polyurethane: 990019002
Seal kit - Cartridge	Viton: 990019006

CONFIGURATION OPTIONS

Model Code Example: XJCAXXN

CONTROL	(X) ADJUSTMENT RANGE	(X) SEAL MATERIAL	(N) MATERIAL/COATING
X -	X -	N Buna-N E EPDM V Viton	Standard Material/Coating /AP Stainless Steel, Passivated /LH Mild Steel, Zinc-Nickel



This cavity plug blocks all ports.

TECHNICAL DATA

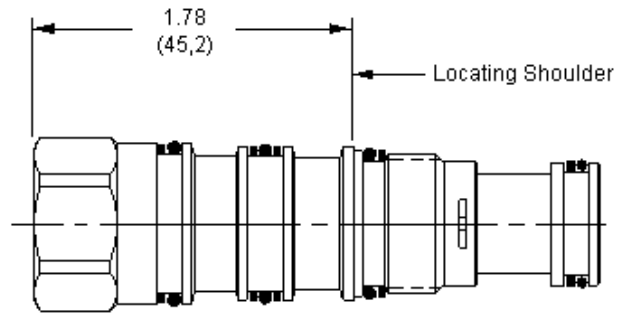
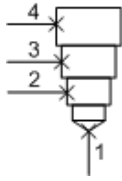
NOTE: DATA MAY VARY BY CONFIGURATION. SEE CONFIGURATION SECTION.

Maximum Operating Pressure	5000 psi
Port Configuration	2 Port
Seal kit - Cartridge	Buna: 990018007
Seal kit - Cartridge	EPDM: 990018014
Seal kit - Cartridge	Polyurethane: 990018002
Seal kit - Cartridge	Viton: 990018006

CONFIGURATION OPTIONS

Model Code Example: XKCAXXN

CONTROL	(X) ADJUSTMENT RANGE	(X) SEAL MATERIAL	(N) MATERIAL/COATING
X -	X -	N Buna-N E EPDM V Viton	Standard Material/Coating /AP Stainless Steel, Passivated /LH Mild Steel, Zinc-Nickel



in (mm)

This cavity plug blocks all ports.

TECHNICAL DATA

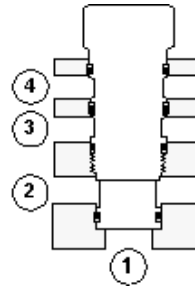
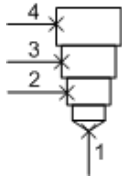
NOTE: DATA MAY VARY BY CONFIGURATION. SEE CONFIGURATION SECTION.

Maximum Operating Pressure	5000 psi
Seal kit - Cartridge	Buna: 990021007
Seal kit - Cartridge	Polyurethane: 990021002
Seal kit - Cartridge	Viton: 990021006

CONFIGURATION OPTIONS

Model Code Example: XMCAXXN

CONTROL	(X)	ADJUSTMENT RANGE	(X)	SEAL MATERIAL	(N)
X -		X -		N Buna-N	
				V Viton	



This cavity plug blocks all ports.

TECHNICAL DATA

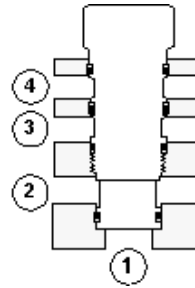
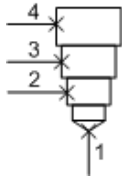
NOTE: DATA MAY VARY BY CONFIGURATION. SEE CONFIGURATION SECTION.

Maximum Operating Pressure	5000 psi
Seal kit - Cartridge	Buna: 990022007
Seal kit - Cartridge	Polyurethane: 990022002
Seal kit - Cartridge	Viton: 990022006

CONFIGURATION OPTIONS

Model Code Example: XNCAXXN

CONTROL	(X)	ADJUSTMENT RANGE	(X)	SEAL MATERIAL	(N)
X -		X -		N Buna-N	
				E EPDM	
				V Viton	



This cavity plug blocks all ports.

TECHNICAL DATA

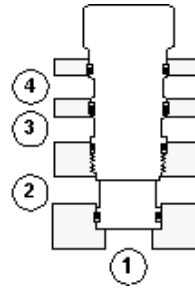
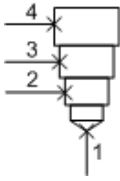
NOTE: DATA MAY VARY BY CONFIGURATION. SEE CONFIGURATION SECTION.

Maximum Operating Pressure	5000 psi
Seal kit - Cartridge	Buna: 990023007
Seal kit - Cartridge	Polyurethane: 990023002
Seal kit - Cartridge	Viton: 990023006

CONFIGURATION OPTIONS

Model Code Example: XPCAXXN

CONTROL	(X) ADJUSTMENT RANGE	(X) SEAL MATERIAL	(N) MATERIAL/COATING
X -	X -	N Buna-N V Viton	Standard Material/Coating /AP Stainless Steel, Passivated



This cavity plug blocks all ports.

TECHNICAL DATA

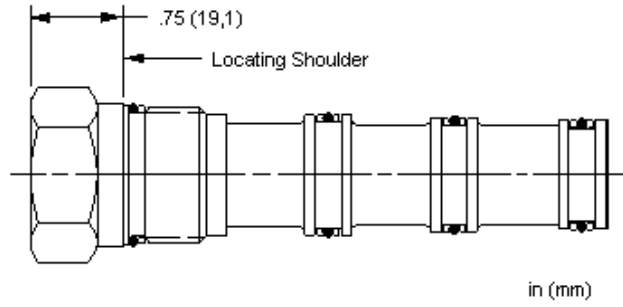
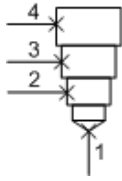
NOTE: DATA MAY VARY BY CONFIGURATION. SEE CONFIGURATION SECTION.

Maximum Operating Pressure	5000 psi
Seal kit - Cartridge	Buna: 990024007
Seal kit - Cartridge	Polyurethane: 990024002
Seal kit - Cartridge	Viton: 990024006

CONFIGURATION OPTIONS

Model Code Example: XQCAXXN

CONTROL	(X) ADJUSTMENT RANGE	(X) SEAL MATERIAL	(N) MATERIAL/COATING
X -	X -	N Buna-N V Viton	Standard Material/Coating /AP Stainless Steel, Passivated



This cavity plug blocks all ports.

TECHNICAL DATA

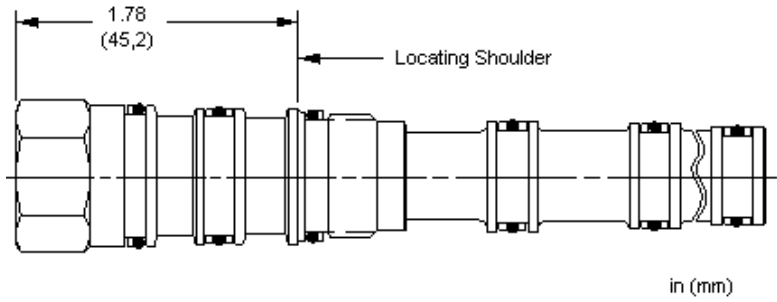
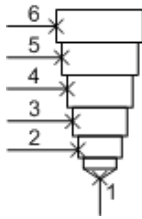
NOTE: DATA MAY VARY BY CONFIGURATION. SEE CONFIGURATION SECTION.

Maximum Operating Pressure	5000 psi
Seal kit - Cartridge	Buna: 990031007
Seal kit - Cartridge	Polyurethane: 990031002
Seal kit - Cartridge	Viton: 990031006

CONFIGURATION OPTIONS

Model Code Example: XRCAXXN

CONTROL	(X)	ADJUSTMENT RANGE	(X)	SEAL MATERIAL	(N)
X -		X -		N Buna-N V Viton	



This cavity plug blocks all ports.

TECHNICAL DATA

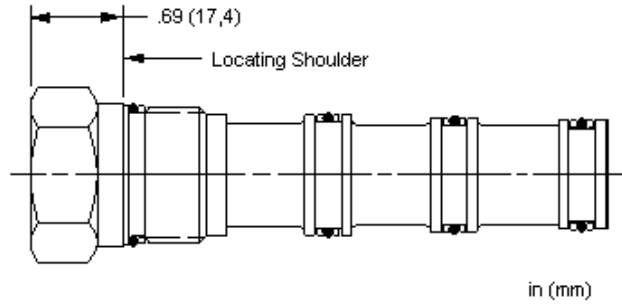
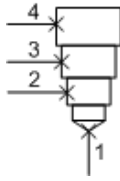
NOTE: DATA MAY VARY BY CONFIGURATION. SEE CONFIGURATION SECTION.

Maximum Operating Pressure	5000 psi
Seal kit - Cartridge	Buna: 990061007
Seal kit - Cartridge	Polyurethane: 990061002
Seal kit - Cartridge	Viton: 990061006

CONFIGURATION OPTIONS

Model Code Example: XRCCXXN

CONTROL	(X)	ADJUSTMENT RANGE	(X)	SEAL MATERIAL	(N)
X -		X -		N Buna-N	
				V Viton	



This cavity plug blocks all ports.

TECHNICAL DATA

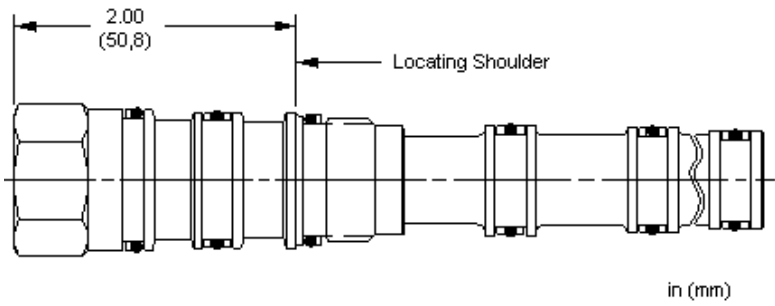
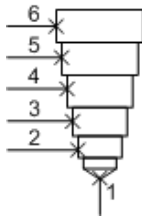
NOTE: DATA MAY VARY BY CONFIGURATION. SEE CONFIGURATION SECTION.

Maximum Operating Pressure	5000 psi
Seal kit - Cartridge	Buna: 990032007
Seal kit - Cartridge	Polyurethane: 990032002
Seal kit - Cartridge	Viton: 990032006

CONFIGURATION OPTIONS

Model Code Example: XSCAXXN

CONTROL	(X)	ADJUSTMENT RANGE	(X)	SEAL MATERIAL	(N)
X -		X -		N Buna-N V Viton	



This cavity plug blocks all ports.

TECHNICAL DATA

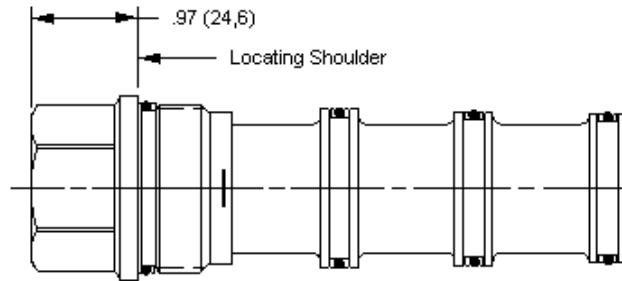
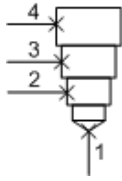
NOTE: DATA MAY VARY BY CONFIGURATION. SEE CONFIGURATION SECTION.

Maximum Operating Pressure	5000 psi
Seal kit - Cartridge	Buna: 990062007
Seal kit - Cartridge	Polyurethane: 990062002
Seal kit - Cartridge	Viton: 990062006

CONFIGURATION OPTIONS

Model Code Example: XSCCXXN

CONTROL	(X)	ADJUSTMENT RANGE	(X)	SEAL MATERIAL	(N)
X -		X -		N Buna-N	
				V Viton	



in (mm)

This cavity plug blocks all ports.

TECHNICAL DATA

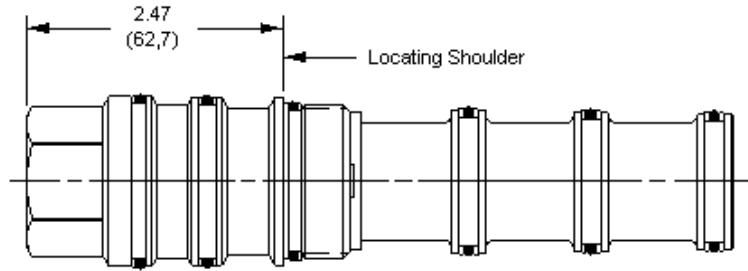
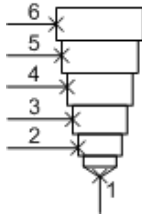
NOTE: DATA MAY VARY BY CONFIGURATION. SEE CONFIGURATION SECTION.

Maximum Operating Pressure	5000 psi
Seal kit - Cartridge	Buna: 990033007
Seal kit - Cartridge	Polyurethane: 990033002
Seal kit - Cartridge	Viton: 990033006

CONFIGURATION OPTIONS

Model Code Example: XTCAXXN

CONTROL	(X) ADJUSTMENT RANGE	(X) SEAL MATERIAL	(N) MATERIAL/COATING
X -	X -	N Buna-N V Viton	Standard Material/Coating /AP Stainless Steel, Passivated



in (mm)

This cavity plug blocks all ports.

TECHNICAL DATA

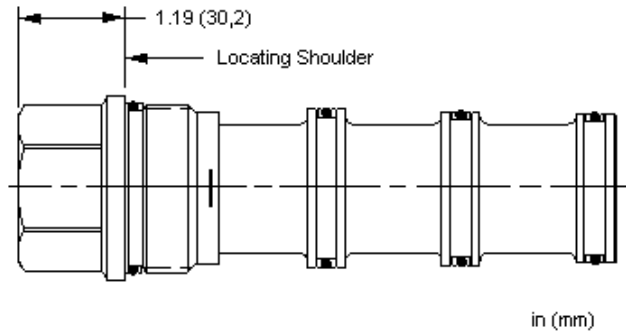
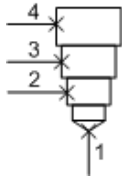
NOTE: DATA MAY VARY BY CONFIGURATION. SEE CONFIGURATION SECTION.

Maximum Operating Pressure	5000 psi
Seal kit - Cartridge	Buna: 990063007
Seal kit - Cartridge	Polyurethane: 990063002
Seal kit - Cartridge	Viton: 990063006

CONFIGURATION OPTIONS

Model Code Example: XTCCXXN

CONTROL	(X) ADJUSTMENT RANGE	(X) SEAL MATERIAL	(N)
X -	X -	N Buna-N V Viton	



This cavity plug blocks all ports.

TECHNICAL DATA

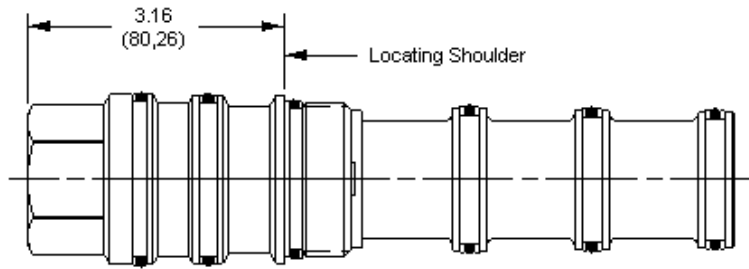
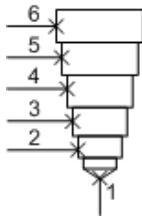
NOTE: DATA MAY VARY BY CONFIGURATION. SEE CONFIGURATION SECTION.

Maximum Operating Pressure	5000 psi
Seal kit - Cartridge	Buna: 990034007
Seal kit - Cartridge	Polyurethane: 990034002
Seal kit - Cartridge	Viton: 990034006

CONFIGURATION OPTIONS

Model Code Example: **XVCAXXN**

CONTROL	(X)	ADJUSTMENT RANGE	(X)	SEAL MATERIAL	(N)
X -		X -		N Buna-N	
				V Viton	



in (mm)

This cavity plug blocks all ports.

TECHNICAL DATA

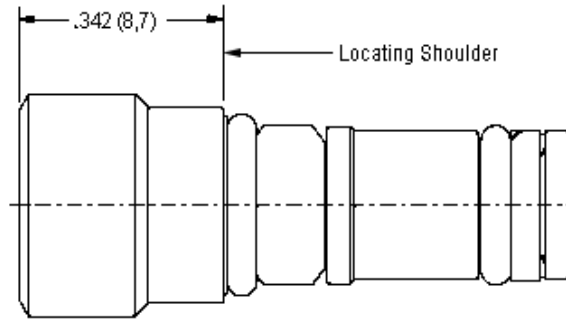
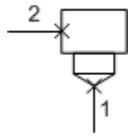
NOTE: DATA MAY VARY BY CONFIGURATION. SEE CONFIGURATION SECTION.

Maximum Operating Pressure	5000 psi
Seal kit - Cartridge	Buna: 990064007
Seal kit - Cartridge	Polyurethane: 990064002
Seal kit - Cartridge	Viton: 990064006

CONFIGURATION OPTIONS

Model Code Example: **XVCCXXN**

CONTROL	(X) ADJUSTMENT RANGE	(X) SEAL MATERIAL	(N)
X -	X -	N Buna-N V Viton	



in (mm)

This cavity plug blocks all ports.

TECHNICAL DATA

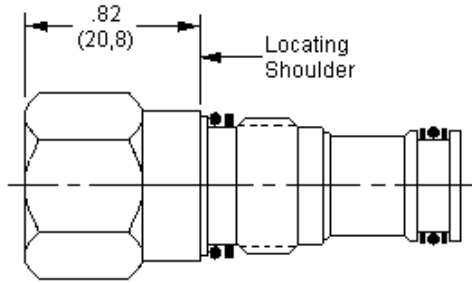
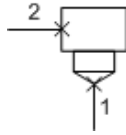
NOTE: DATA MAY VARY BY CONFIGURATION. SEE CONFIGURATION SECTION.

Valve Internal Hex Size	5/32 in.
Seal kit - Cartridge	Buna: 990382007
Seal kit - Cartridge	Viton: 990382006

CONFIGURATION OPTIONS

Model Code Example: XYCAXXN

CONTROL	(X)	ADJUSTMENT RANGE	(X)	SEAL MATERIAL	(N)
X Not Adjustable		X -		N Buna-N	
				V Viton	



in (mm)

This cavity plug blocks all ports.

TECHNICAL DATA

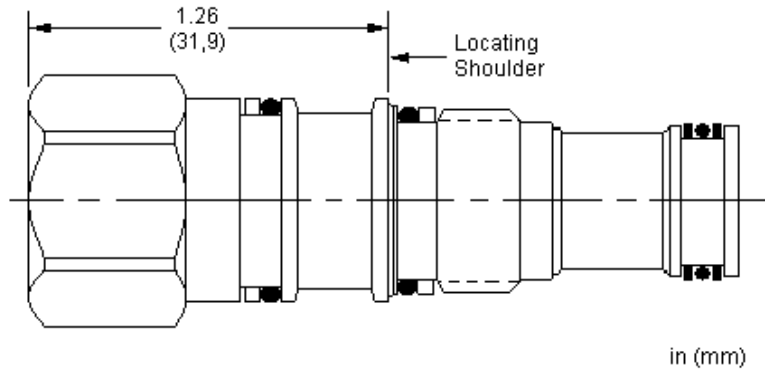
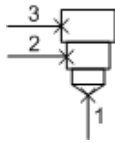
NOTE: DATA MAY VARY BY CONFIGURATION. SEE CONFIGURATION SECTION.

Maximum Operating Pressure	5000 psi
Port Configuration	2 Port
Seal kit - Cartridge	Buna: 990162007
Seal kit - Cartridge	Polyurethane: 990162002
Seal kit - Cartridge	Viton: 990162006

CONFIGURATION OPTIONS

Model Code Example: XZCAXXN

CONTROL	(X) ADJUSTMENT RANGE	(X) SEAL MATERIAL	(N) MATERIAL/COATING
X - E External 4-SAE Port	X -	N Buna-N E EPDM V Viton	Standard Material/Coating /AP Stainless Steel, Passivated /LH Mild Steel, Zinc-Nickel



This cavity plug blocks all ports.

TECHNICAL DATA

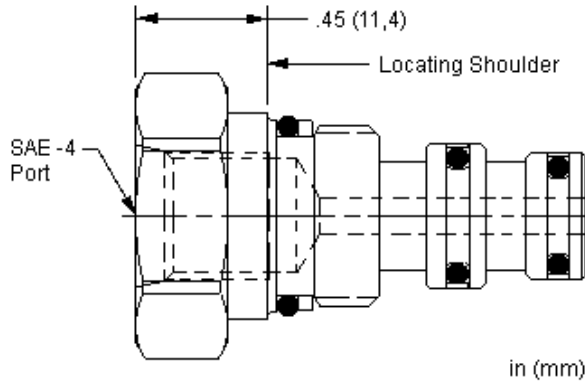
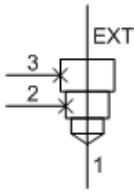
NOTE: DATA MAY VARY BY CONFIGURATION. SEE CONFIGURATION SECTION.

Maximum Operating Pressure	5000 psi
Port Configuration	3 Port
Seal kit - Cartridge	Buna: 990163007
Seal kit - Cartridge	Polyurethane: 990163002
Seal kit - Cartridge	Viton: 990163006

CONFIGURATION OPTIONS

Model Code Example: XZCBXXN

CONTROL	(X) ADJUSTMENT RANGE	(X) SEAL MATERIAL	(N) MATERIAL/COATING
X -	X -	N Buna-N V Viton	Standard Material/Coating /AP Stainless Steel, Passivated



This cavity plug includes an external port open to port 1 and blocks ports 2 and 3.

TECHNICAL DATA

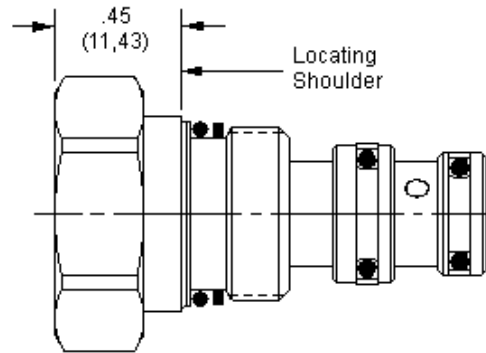
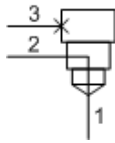
NOTE: DATA MAY VARY BY CONFIGURATION. SEE CONFIGURATION SECTION.

Maximum Operating Pressure	5000 psi
Port Configuration	3 Port
Seal kit - Cartridge	Buna: 990009007
Seal kit - Cartridge	Polyurethane: 990009002
Seal kit - Cartridge	Viton: 990009006

CONFIGURATION OPTIONS

Model Code Example: XACBEXN

ADJUSTMENT RANGE	(X)	SEAL MATERIAL	(N)
X -		N Buna-N	
		V Viton	



in (mm)

This cavity plug allows ports 1 and 2 to remain open and blocks port 3.

TECHNICAL DATA

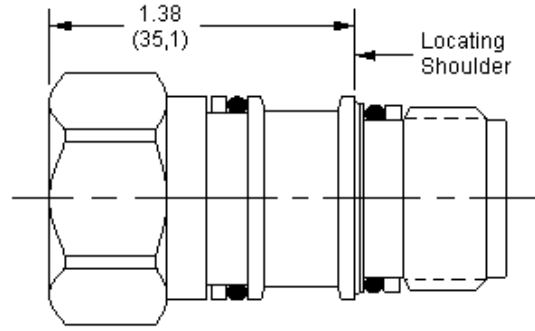
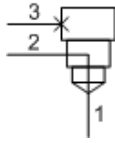
NOTE: DATA MAY VARY BY CONFIGURATION. SEE CONFIGURATION SECTION.

Maximum Operating Pressure	5000 psi
Port Configuration	3 Port
Seal kit - Cartridge	Buna: 990009007
Seal kit - Cartridge	EPDM: 990009014
Seal kit - Cartridge	Polyurethane: 990009002
Seal kit - Cartridge	Viton: 990009006

CONFIGURATION OPTIONS

Model Code Example: XAOBXXN

CONTROL	(X)	ADJUSTMENT RANGE	(X)	SEAL MATERIAL	(N)
X -		X -		N Buna-N	
				E EPDM	
				V Viton	



in (mm)

This cavity plug allows ports 1 and 2 to remain open and blocks port 3.

TECHNICAL DATA

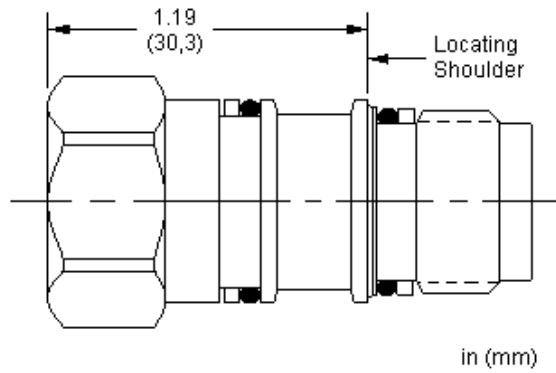
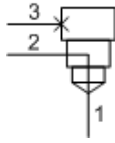
NOTE: DATA MAY VARY BY CONFIGURATION. SEE CONFIGURATION SECTION.

Maximum Operating Pressure	5000 psi
Port Configuration	3 Port
Seal kit - Cartridge	Buna: 990202007
Seal kit - Cartridge	Polyurethane: 990002002
Seal kit - Cartridge	Viton: 990202006

CONFIGURATION OPTIONS

Model Code Example: XBOAXXN

CONTROL	(X) ADJUSTMENT RANGE	(X) SEAL MATERIAL	(N) MATERIAL/COATING
X -	X -	N Buna-N V Viton	Standard Material/Coating /AP Stainless Steel, Passivated /LH Mild Steel, Zinc-Nickel



This cavity plug allows ports 1 and 2 to remain open and blocks port 3.

TECHNICAL DATA

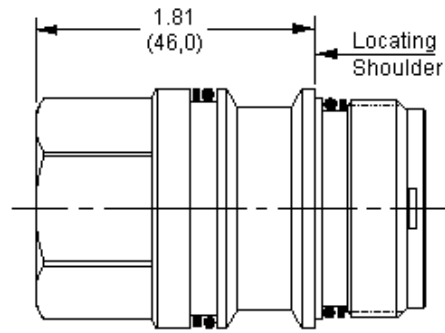
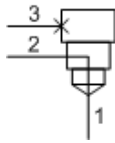
NOTE: DATA MAY VARY BY CONFIGURATION. SEE CONFIGURATION SECTION.

Port Configuration	3 Port
Seal kit - Cartridge	Buna: 990011007
Seal kit - Cartridge	EPDM: 990011014
Seal kit - Cartridge	Polyurethane: 990011002
Seal kit - Cartridge	Viton: 990011006

CONFIGURATION OPTIONS

Model Code Example: XEOAXXN

CONTROL	(X) ADJUSTMENT RANGE	(X) SEAL MATERIAL	(N) MATERIAL/COATING
X -	X -	N Buna-N E EPDM V Viton	Standard Material/Coating /AP Stainless Steel, Passivated /LH Mild Steel, Zinc-Nickel



in (mm)

This cavity plug allows ports 1 and 2 to remain open and blocks port 3.

TECHNICAL DATA

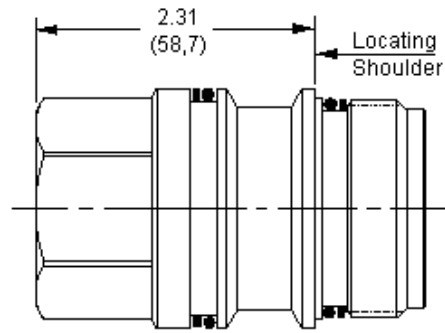
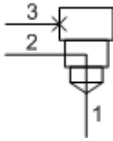
NOTE: DATA MAY VARY BY CONFIGURATION. SEE CONFIGURATION SECTION.

Maximum Operating Pressure	5000 psi
Port Configuration	3 Port
Seal kit - Cartridge	Buna: 990017007
Seal kit - Cartridge	Polyurethane: 990017002
Seal kit - Cartridge	Viton: 990017006

CONFIGURATION OPTIONS

Model Code Example: XHOAXXN

CONTROL	(X) ADJUSTMENT RANGE	(X) SEAL MATERIAL	(N) MATERIAL/COATING
X -	X -	N Buna-N V Viton	Standard Material/Coating /AP Stainless Steel, Passivated



in (mm)

This cavity plug allows ports 1 and 2 to remain open and blocks port 3.

TECHNICAL DATA

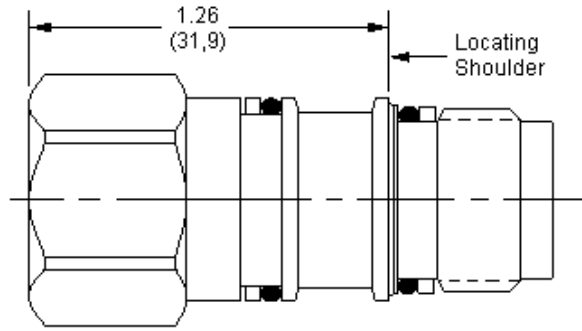
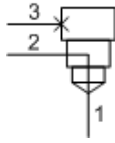
NOTE: DATA MAY VARY BY CONFIGURATION. SEE CONFIGURATION SECTION.

Maximum Operating Pressure	5000 psi
Port Configuration	3 Port
Seal kit - Cartridge	Buna: 990019007
Seal kit - Cartridge	Polyurethane: 990019002
Seal kit - Cartridge	Viton: 990019006

CONFIGURATION OPTIONS

Model Code Example: XJOAXXN

CONTROL	(X) ADJUSTMENT RANGE	(X) SEAL MATERIAL	(N) MATERIAL/COATING
X -	X -	N Buna-N V Viton	Standard Material/Coating /AP Stainless Steel, Passivated



in (mm)

This cavity plug allows ports 1 and 2 to remain open and blocks port 3.

TECHNICAL DATA

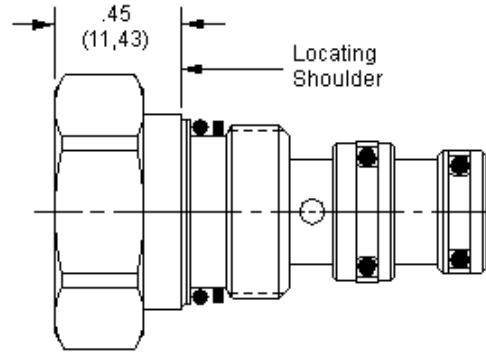
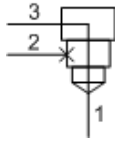
NOTE: DATA MAY VARY BY CONFIGURATION. SEE CONFIGURATION SECTION.

Maximum Operating Pressure	5000 psi
Port Configuration	3 Port
Seal kit - Cartridge	Buna: 990163007
Seal kit - Cartridge	Polyurethane: 990163002
Seal kit - Cartridge	Viton: 990163006

CONFIGURATION OPTIONS

Model Code Example: XZOBXXN

CONTROL	(X) ADJUSTMENT RANGE	(X) SEAL MATERIAL	(N) MATERIAL/COATING
X -	X -	N Buna-N V Viton	Standard Material/Coating /AP Stainless Steel, Passivated



in (mm)

This cavity plug allows ports 1 and 3 to remain open and blocks port 2.

TECHNICAL DATA

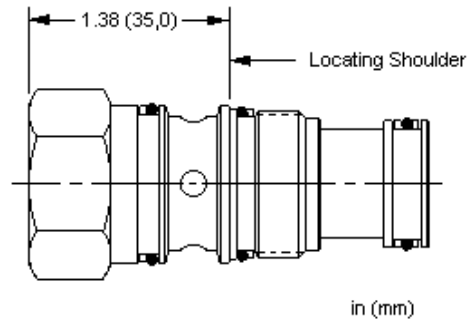
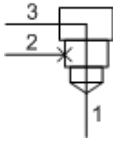
NOTE: DATA MAY VARY BY CONFIGURATION. SEE CONFIGURATION SECTION.

Maximum Operating Pressure	5000 psi
Seal kit - Cartridge	Buna: 990009007
Seal kit - Cartridge	Polyurethane: 990009002
Seal kit - Cartridge	Viton: 990009006

CONFIGURATION OPTIONS

Model Code Example: XAOCXXN

CONTROL	(X)	ADJUSTMENT RANGE	(X)	SEAL MATERIAL	(N)
X -		X -		N Buna-N	
				E EPDM	
				V Viton	



This cavity plug allows ports 1 and 3 to remain open and blocks port 2.

TECHNICAL DATA

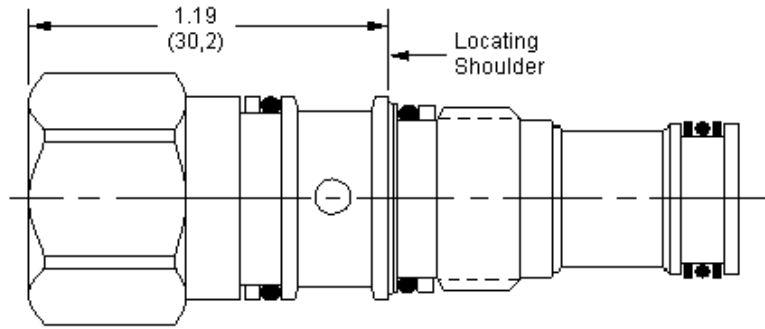
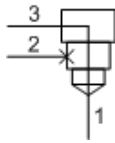
NOTE: DATA MAY VARY BY CONFIGURATION. SEE CONFIGURATION SECTION.

Maximum Operating Pressure	5000 psi
Seal kit - Cartridge	Buna: 990202007
Seal kit - Cartridge	Polyurethane: 990002002
Seal kit - Cartridge	Viton: 990202006

CONFIGURATION OPTIONS

Model Code Example: **XBBAXXN**

CONTROL	(X) ADJUSTMENT RANGE	(X) SEAL MATERIAL	(N) MATERIAL/COATING
X -	X -	N Buna-N V Viton	Standard Material/Coating /AP Stainless Steel, Passivated



in (mm)

This cavity plug allows ports 1 and 3 to remain open and blocks port 2.

TECHNICAL DATA

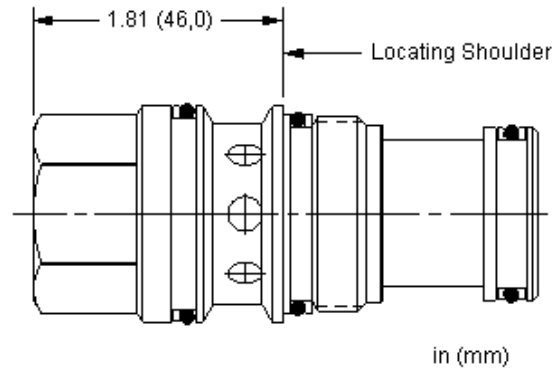
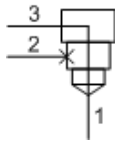
NOTE: DATA MAY VARY BY CONFIGURATION. SEE CONFIGURATION SECTION.

Seal kit - Cartridge	Buna: 990011007
Seal kit - Cartridge	Polyurethane: 990011002
Seal kit - Cartridge	Viton: 990011006

CONFIGURATION OPTIONS

Model Code Example: XEBAXXN

CONTROL	(X) ADJUSTMENT RANGE	(X) SEAL MATERIAL	(N) MATERIAL/COATING
X -	X -	N Buna-N E EPDM V Viton	Standard Material/Coating /AP Stainless Steel, Passivated



This cavity plug allows ports 1 and 3 to remain open and blocks port 2.

TECHNICAL DATA

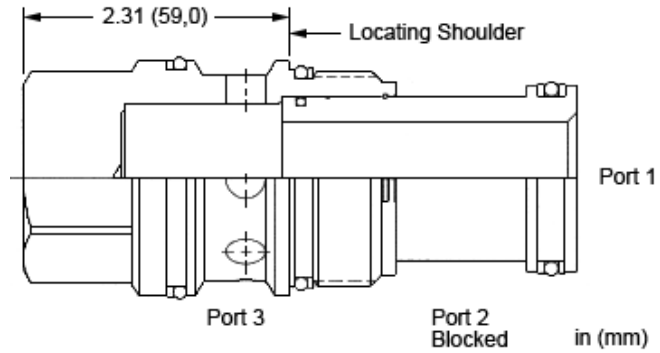
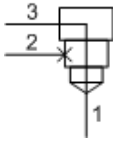
NOTE: DATA MAY VARY BY CONFIGURATION. SEE CONFIGURATION SECTION.

Maximum Operating Pressure	3000 psi
Seal kit - Cartridge	Buna: 990017007
Seal kit - Cartridge	Polyurethane: 990017002
Seal kit - Cartridge	Viton: 990017006

CONFIGURATION OPTIONS

Model Code Example: XHBAXXN

CONTROL	(X)	ADJUSTMENT RANGE	(X)	SEAL MATERIAL	(N)
X Not Adjustable	X	-	X	N Buna-N V Viton	N



This cavity plug allows ports 1 and 3 to remain open and blocks port 2.

TECHNICAL DATA

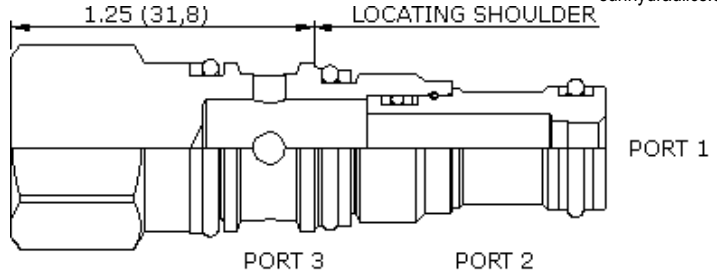
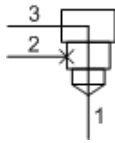
NOTE: DATA MAY VARY BY CONFIGURATION. SEE CONFIGURATION SECTION.

Maximum Operating Pressure	5000 psi
Seal kit - Cartridge	Buna: 990019007
Seal kit - Cartridge	Polyurethane: 990019002
Seal kit - Cartridge	Viton: 990019006

CONFIGURATION OPTIONS

Model Code Example: XJBAXXN

CONTROL	(X)	ADJUSTMENT RANGE	(X)	SEAL MATERIAL	(N)
X -		X -		N Buna-N V Viton	



This cavity plug allows ports 1 and 3 to remain open and blocks port 2.

TECHNICAL DATA

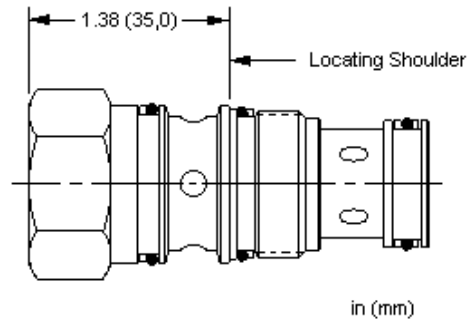
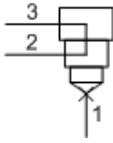
NOTE: DATA MAY VARY BY CONFIGURATION. SEE CONFIGURATION SECTION.

Maximum Operating Pressure	5000 psi
Seal kit - Cartridge	Buna: 990163007
Seal kit - Cartridge	Polyurethane: 990163002
Seal kit - Cartridge	Viton: 990163006

CONFIGURATION OPTIONS

Model Code Example: XZBAXXN

CONTROL	(X) SPOOL CONFIGURATION	(X) SEAL MATERIAL	(N) MATERIAL/COATING
X Not Adjustable	X -	N Buna-N V Viton	Standard Material/Coating /AP Stainless Steel, Passivated



This cavity plug allows ports 2 and 3 to remain open and blocks port 1.

TECHNICAL DATA

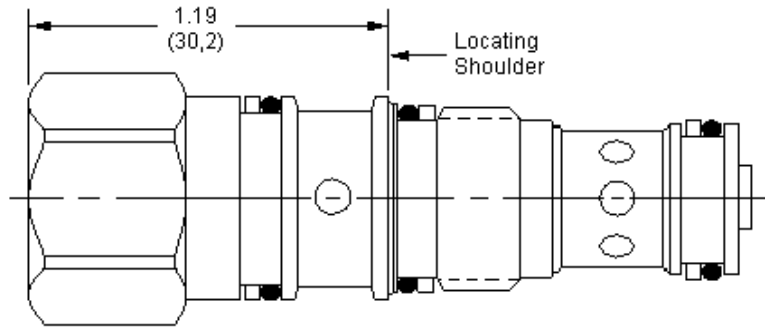
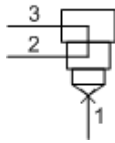
NOTE: DATA MAY VARY BY CONFIGURATION. SEE CONFIGURATION SECTION.

Maximum Operating Pressure	5000 psi
Seal kit - Cartridge	Buna: 990202007
Seal kit - Cartridge	Polyurethane: 990002002
Seal kit - Cartridge	Viton: 990202006

CONFIGURATION OPTIONS

Model Code Example: **XBAAXXN**

CONTROL	(X)	ADJUSTMENT RANGE	(X)	SEAL MATERIAL	(N)
X -		X -		N Buna-N	
				V Viton	



in (mm)

This cavity plug allows ports 2 and 3 to remain open and blocks port 1.

TECHNICAL DATA

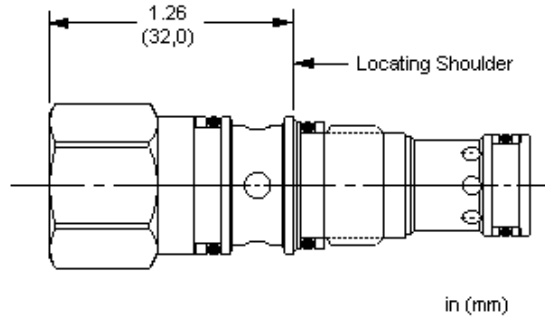
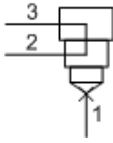
NOTE: DATA MAY VARY BY CONFIGURATION. SEE CONFIGURATION SECTION.

Seal kit - Cartridge	Buna: 990011007
Seal kit - Cartridge	EPDM: 990011014
Seal kit - Cartridge	Polyurethane: 990011002
Seal kit - Cartridge	Viton: 990011006

CONFIGURATION OPTIONS

Model Code Example: XEAXXN

CONTROL	(X)	ADJUSTMENT RANGE	(X)	SEAL MATERIAL	(N)
X -		X -		N Buna-N	
				E EPDM	
				V Viton	



This cavity plug allows ports 2 and 3 to remain open and blocks port 1.

TECHNICAL DATA

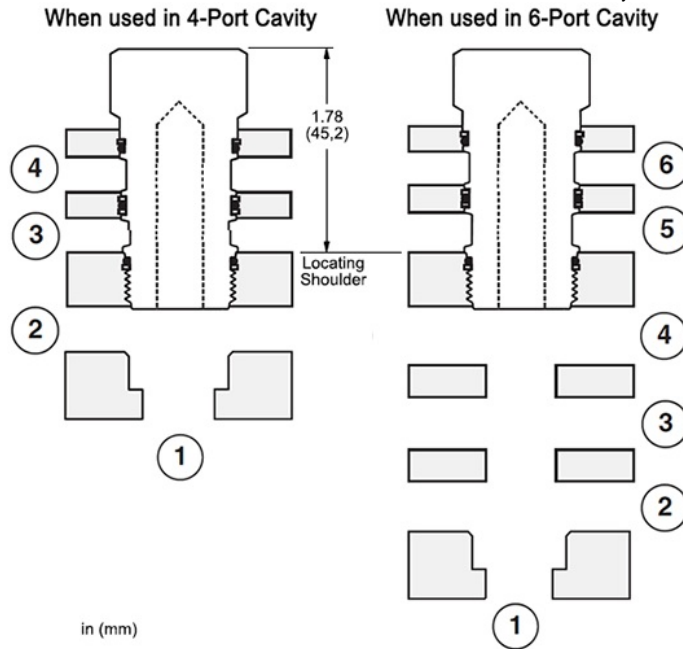
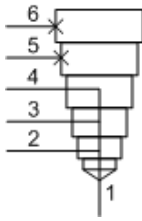
NOTE: DATA MAY VARY BY CONFIGURATION. SEE CONFIGURATION SECTION.

Maximum Operating Pressure	3000 psi
Seal kit - Cartridge	Buna: 990163007
Seal kit - Cartridge	Polyurethane: 990163002
Seal kit - Cartridge	Viton: 990163006

CONFIGURATION OPTIONS

Model Code Example: XZAAXN

CONTROL	(X) ADJUSTMENT RANGE	(X) SEAL MATERIAL	(N) MATERIAL/COATING
X -	X -	N Buna-N V Viton	Standard Material/Coating /AP Stainless Steel, Passivated



These cavity plugs can be used for both four-port and six-port cavities. When used in four-port cavities (T-21A, T-22A, T-23A and T-24A), ports 1 and 2 remain connected and ports 3 and 4 are blocked. When used in six-port cavities (T-61A, T-62A, T-63A and T-64A), ports 1, 2, 3 and 4 remain connected and ports 5 and 6 are blocked.

TECHNICAL DATA

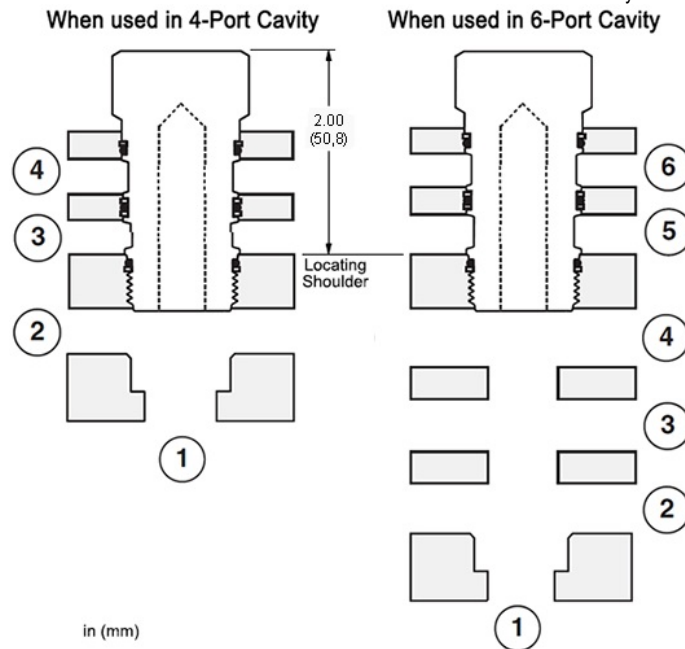
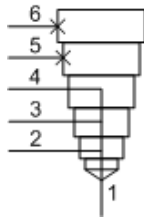
NOTE: DATA MAY VARY BY CONFIGURATION. SEE CONFIGURATION SECTION.

Maximum Operating Pressure	5000 psi
Seal kit - Cartridge	Buna: 990021007
Seal kit - Cartridge	Polyurethane: 990021002
Seal kit - Cartridge	Viton: 990021006

CONFIGURATION OPTIONS

Model Code Example: XMOAXXN

CONTROL	(X) ADJUSTMENT RANGE	(X) SEAL MATERIAL	(N) MATERIAL/COATING
X -	X -	N Buna-N V Viton	Standard Material/Coating /AP Stainless Steel, Passivated



These cavity plugs can be used for both four-port and six-port cavities. When used in four-port cavities (T-21A, T-22A, T-23A and T-24A), ports 1 and 2 remain connected and ports 3 and 4 are blocked. When used in six-port cavities (T-61A, T-62A, T-63A and T-64A), ports 1, 2, 3 and 4 remain connected and ports 5 and 6 are blocked.

TECHNICAL DATA

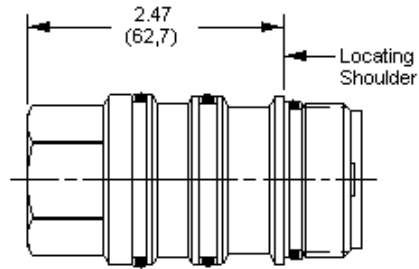
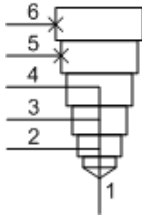
NOTE: DATA MAY VARY BY CONFIGURATION. SEE CONFIGURATION SECTION.

Maximum Operating Pressure	5000 psi
Seal kit - Cartridge	Buna: 990022007
Seal kit - Cartridge	Polyurethane: 990022002
Seal kit - Cartridge	Viton: 990022006

CONFIGURATION OPTIONS

Model Code Example: XNOAXXN

CONTROL	(X)	ADJUSTMENT RANGE	(X)	SEAL MATERIAL	(N)
X -		X -		N Buna-N	
				V Viton	



in (mm)

These cavity plugs can be used for both four-port and six-port cavities. When used in four-port cavities (T-21A, T-22A, T-23A and T-24A), ports 1 and 2 remain connected and ports 3 and 4 are blocked. When used in six-port cavities (T-61A, T-62A, T-63A and T-64A), ports 1, 2, 3 and 4 remain connected and ports 5 and 6 are blocked.

TECHNICAL DATA

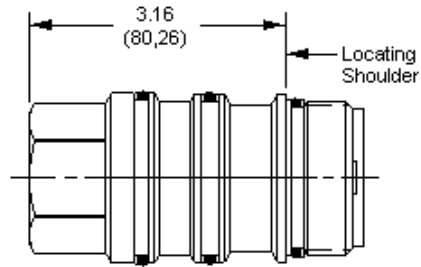
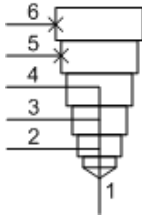
NOTE: DATA MAY VARY BY CONFIGURATION. SEE CONFIGURATION SECTION.

Maximum Operating Pressure	5000 psi
Seal kit - Cartridge	Buna: 990023007
Seal kit - Cartridge	Polyurethane: 990023002
Seal kit - Cartridge	Viton: 990023006

CONFIGURATION OPTIONS

Model Code Example: XPOAXXN

CONTROL	(X)	ADJUSTMENT RANGE	(X)	SEAL MATERIAL	(N)
X -		X -		N Buna-N	
				V Viton	



in (mm)

These cavity plugs can be used for both four-port and six-port cavities. When used in four-port cavities (T-21A, T-22A, T-23A and T-24A), ports 1 and 2 remain connected and ports 3 and 4 are blocked. When used in six-port cavities (T-61A, T-62A, T-63A and T-64A), ports 1, 2, 3 and 4 remain connected and ports 5 and 6 are blocked.

TECHNICAL DATA

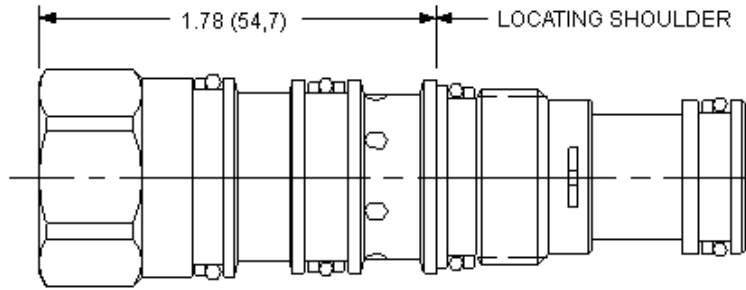
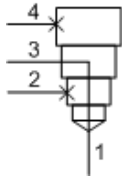
NOTE: DATA MAY VARY BY CONFIGURATION. SEE CONFIGURATION SECTION.

Maximum Operating Pressure	5000 psi
Seal kit - Cartridge	Buna: 990024007
Seal kit - Cartridge	Polyurethane: 990024002
Seal kit - Cartridge	Viton: 990024006

CONFIGURATION OPTIONS

Model Code Example: XQOAXXN

CONTROL	(X)	ADJUSTMENT RANGE	(X)	SEAL MATERIAL	(N)	MATERIAL/COATING
X -		X -		N Buna-N V Viton		Standard Material/Coating /LH Mild Steel, Zinc-Nickel



in (mm)

This cavity plug allows flow through ports 1 and 3 and blocks ports 2 and 4.

TECHNICAL DATA

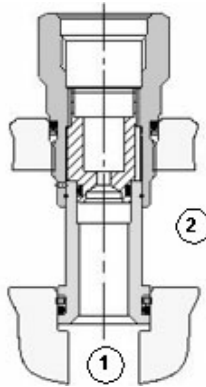
NOTE: DATA MAY VARY BY CONFIGURATION. SEE CONFIGURATION SECTION.

Maximum Operating Pressure	3000 psi
Seal kit - Cartridge	Buna: 990021007
Seal kit - Cartridge	Polyurethane: 990021002
Seal kit - Cartridge	Viton: 990021006

CONFIGURATION OPTIONS

Model Code Example: XMBAXXN

CONTROL	(X)	ADJUSTMENT RANGE	(X)	SEAL MATERIAL	(N)
X -		X -		N Buna-N	
				V Viton	



Sun offers a selection of cavity adaptors used to convert one cavity to another. The XFAA cavity adaptor converts a Sun T-10A cavity to a Sun T-8A cavity. This adaptor can be used, for example, to field replace Sun's model RBAC-***, pilot stage relief, to Sun's model RBAP-***, proportional pilot stage relief or any other T-8A cavity function.

TECHNICAL DATA

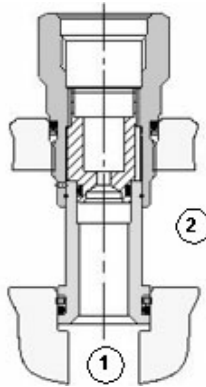
NOTE: DATA MAY VARY BY CONFIGURATION. SEE CONFIGURATION SECTION.

Maximum Operating Pressure	5000 psi
Pilot Control Cavity	T-8A
Seal kit - Cartridge	Buna: 990010007
Seal kit - Cartridge	EPDM: 990010014
Seal kit - Cartridge	Polyurethane: 990010002
Seal kit - Cartridge	Viton: 990010006

CONFIGURATION OPTIONS

Model Code Example: XFAA8XN

CONTROL	(8) ADJUSTMENT RANGE	(X) SEAL MATERIAL	(N) MATERIAL/COATING
8 T-8A Cavity	X -	N Buna-N E EPDM V Viton	Standard Material/Coating /AP Stainless Steel, Passivated



Sun offers a selection of cavity adaptors used to convert one cavity to another. When installed in a Sun T-10A cavity, this adaptor converts to a Sun T-8A cavity with a filter screen between ports 1 and 2.

TECHNICAL DATA

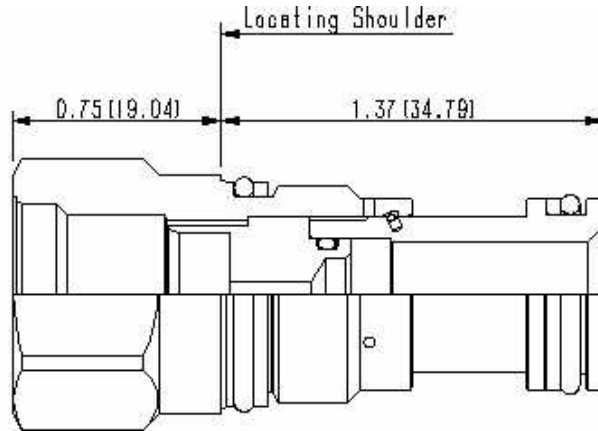
NOTE: DATA MAY VARY BY CONFIGURATION. SEE CONFIGURATION SECTION.

Maximum Operating Pressure	5000 psi
Pilot Control Cavity	T-8A
Seal kit - Cartridge	Buna: 990010007
Seal kit - Cartridge	EPDM: 990010014
Seal kit - Cartridge	Polyurethane: 990010002
Seal kit - Cartridge	Viton: 990010006

CONFIGURATION OPTIONS

Model Code Example: XFAB8XN

CONTROL	(8) ADJUSTMENT RANGE	(X) SEAL MATERIAL	(N)
8 T-8A Cavity	X -	N Buna-N	
		E EPDM	
		V Viton	



Sun offers a selection of cavity adaptors used to convert one cavity to another. When installed in a Sun T-13 A cavity, this adaptor converts to a Sun T-8A cavity.

TECHNICAL DATA

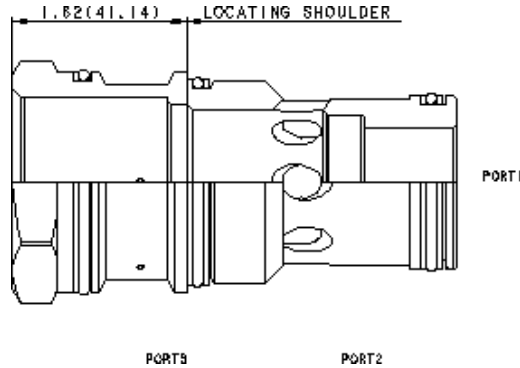
NOTE: DATA MAY VARY BY CONFIGURATION. SEE CONFIGURATION SECTION.

Maximum Operating Pressure	5000 psi
Pilot Control Cavity	T-8A
Seal kit - Cartridge	Buna: 990010007
Seal kit - Cartridge	Polyurethane: 990010002
Seal kit - Cartridge	Viton: 990010006

CONFIGURATION OPTIONS

Model Code Example: XGAA8XN

CONTROL	(8) ADJUSTMENT RANGE	(X) SEAL MATERIAL	(N) MATERIAL/COATING
8 T-8A Cavity	X -	N Buna-N V Viton	Standard Material/Coating /AP Stainless Steel, Passivated



Sun offers a selection of cavity adaptors used to convert one cavity to another. When installed in a Sun T-19A cavity, this adaptor converts to a Sun T-17A cavity.

TECHNICAL DATA

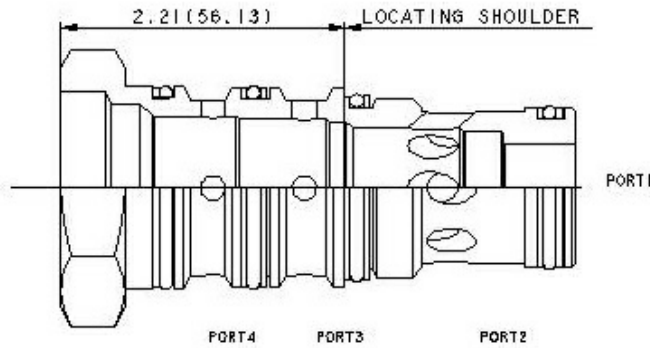
NOTE: DATA MAY VARY BY CONFIGURATION. SEE CONFIGURATION SECTION.

Maximum Operating Pressure	3000 psi
Seal kit - Cartridge	Buna: 990019007
Seal kit - Cartridge	Polyurethane: 990019002
Seal kit - Cartridge	Viton: 990019006

CONFIGURATION OPTIONS

Model Code Example: XJOCGXN

CONTROL	(G) ADJUSTMENT RANGE	(X)	SEAL MATERIAL	(N)
G T-17A Cavity	X -		N Buna-N V Viton	



Sun offers a selection of cavity adaptors used to convert one cavity to another. Depending on the configuration, this cavity adaptor converts a Sun T-23A cavity to either a Sun T-21A or T-22A cavity.

TECHNICAL DATA

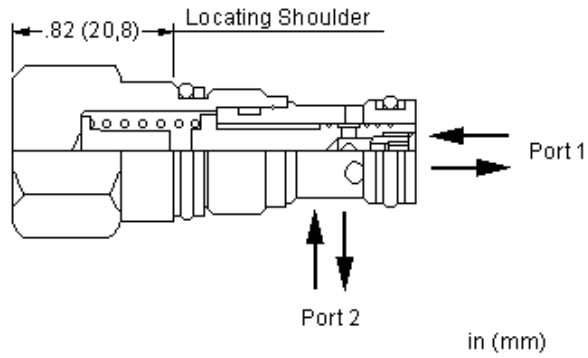
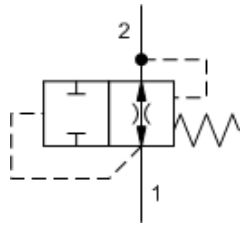
NOTE: DATA MAY VARY BY CONFIGURATION. SEE CONFIGURATION SECTION.

Maximum Operating Pressure	5000 psi
Seal kit - Cartridge	Buna: 990023007
Seal kit - Cartridge	Polyurethane: 990023002
Seal kit - Cartridge	Viton: 990023006

CONFIGURATION OPTIONS

Model Code Example: XPOCNXN

CONTROL	(N) ADJUSTMENT RANGE	(X) SEAL MATERIAL	(N) MATERIAL/COATING
N T-22A Cavity M T-21A Cavity	X -	N Buna-N V Viton	Standard Material/Coating /AP Stainless Steel, Passivated



Flow fuse cartridges are used to maintain the position of a hydraulic actuator in the event of a hose or line break. The valve allows flow to and from the actuator but closes instantly if flow from the actuator exceeds the setting of the valve. NOTE: Because the valve responds so rapidly, it is sensitive to any transient flow above the valve setting.

TECHNICAL DATA

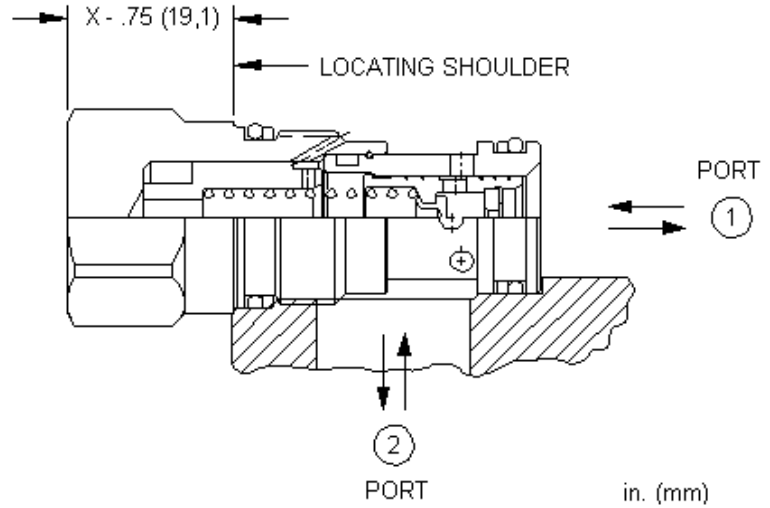
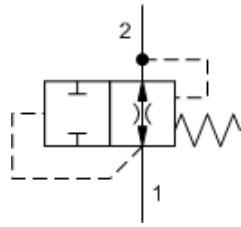
NOTE: DATA MAY VARY BY CONFIGURATION. SEE CONFIGURATION SECTION.

Maximum Operating Pressure	5000 psi
Maximum Valve Leakage at 110 SUS (24 cSt)	1 in ³ /min.@1000 psi
Seal kit - Cartridge	Buna: 990162007
Seal kit - Cartridge	EPDM: 990162014
Seal kit - Cartridge	Polyurethane: 990162002
Seal kit - Cartridge	Viton: 990162006

CONFIGURATION OPTIONS

Model Code Example: FQBAXAN

CONTROL	(X) SETTING RANGE	(A) SEAL MATERIAL	(N) MATERIAL/COATING
X Not Adjustable	A Replaceable Orifice .5 - 2.25 gpm (2 - 8,5 L/min.)	N Buna-N E EPDM V Viton	Standard Material/Coating /AP Stainless Steel, Passivated /LH Mild Steel, Zinc-Nickel



Flow fuse cartridges are used to maintain the position of a hydraulic actuator in the event of a hose or line break. The valve allows flow to and from the actuator but closes instantly if flow from the actuator exceeds the setting of the valve. NOTE: Because the valve responds so rapidly, it is sensitive to any transient flow above the valve setting.

TECHNICAL DATA

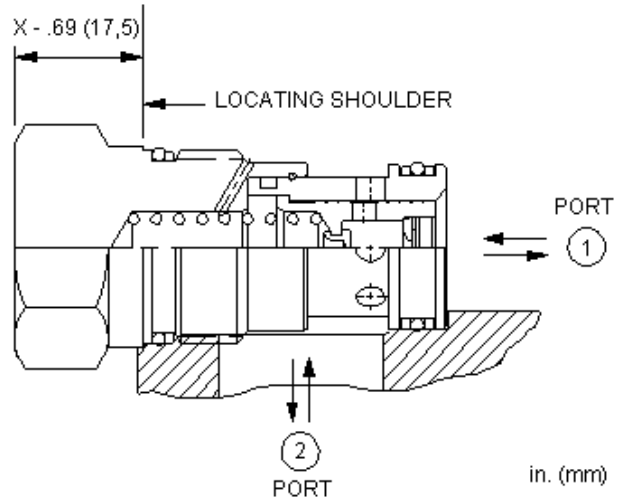
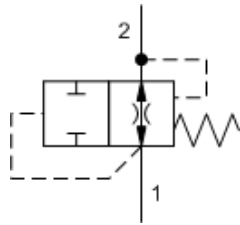
NOTE: DATA MAY VARY BY CONFIGURATION. SEE CONFIGURATION SECTION.

Maximum Operating Pressure	5000 psi
Maximum Valve Leakage at 110 SUS (24 cSt)	2 in ³ /min.@1000 psi
Seal kit - Cartridge	Buna: 990010007
Seal kit - Cartridge	Polyurethane: 990010002
Seal kit - Cartridge	Viton: 990010006

CONFIGURATION OPTIONS

Model Code Example: FQCA~~X~~AN

CONTROL	(X) SETTING RANGE	(A) SEAL MATERIAL	(N) MATERIAL/COATING
X Not Adjustable	A Replaceable Orifice .5 - 6 gpm (2 - 23 L/min.)	N Buna-N V Viton	Standard Material/Coating /AP Stainless Steel, Passivated /LH Mild Steel, Zinc-Nickel



Flow fuse cartridges are used to maintain the position of a hydraulic actuator in the event of a hose or line break. The valve allows flow to and from the actuator but closes instantly if flow from the actuator exceeds the setting of the valve. NOTE: Because the valve responds so rapidly, it is sensitive to any transient flow above the valve setting.

TECHNICAL DATA

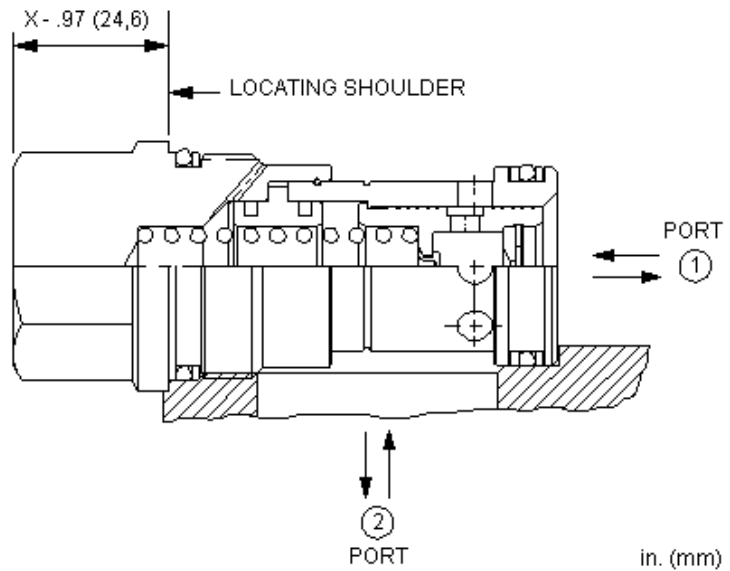
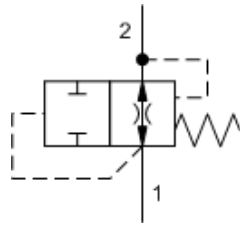
NOTE: DATA MAY VARY BY CONFIGURATION. SEE CONFIGURATION SECTION.

Maximum Operating Pressure	5000 psi
Maximum Valve Leakage at 110 SUS (24 cSt)	3 in ³ /min. @1000 psi
Seal kit - Cartridge	Buna: 990203007
Seal kit - Cartridge	Viton: 990203006

CONFIGURATION OPTIONS

Model Code Example: FQEAXAN

CONTROL	(X) SETTING RANGE	(A) SEAL MATERIAL	(N) MATERIAL/COATING
X Not Adjustable	A Replaceable Orifice 1 - 15 gpm (4 - 60 L/min.)	N Buna-N V Viton	Standard Material/Coating /AP Stainless Steel, Passivated



Flow fuse cartridges are used to maintain the position of a hydraulic actuator in the event of a hose or line break. The valve allows flow to and from the actuator but closes instantly if flow from the actuator exceeds the setting of the valve. NOTE: Because the valve responds so rapidly, it is sensitive to any transient flow above the valve setting.

TECHNICAL DATA

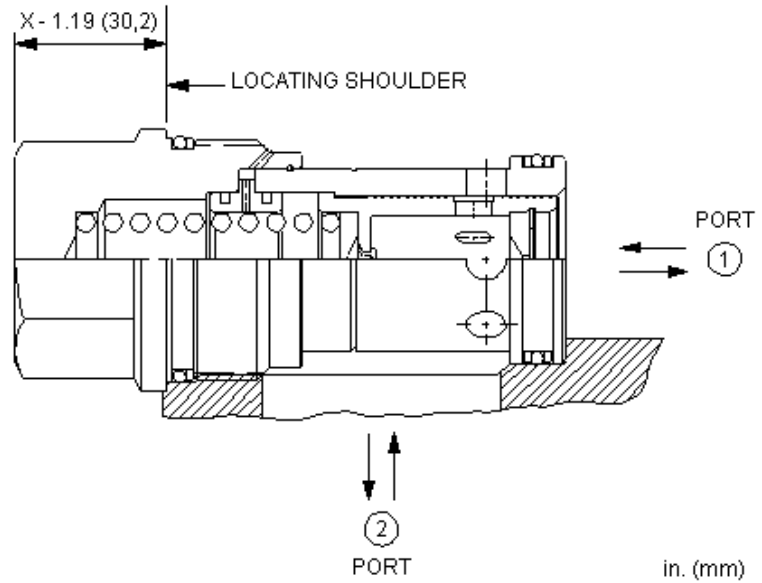
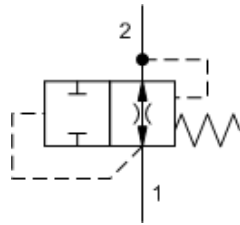
NOTE: DATA MAY VARY BY CONFIGURATION. SEE CONFIGURATION SECTION.

Maximum Operating Pressure	5000 psi
Maximum Valve Leakage at 110 SUS (24 cSt)	4 in ³ /min.@1000 psi
Seal kit - Cartridge	Buna: 990016007
Seal kit - Cartridge	Polyurethane: 990016002
Seal kit - Cartridge	Viton: 990016006

CONFIGURATION OPTIONS

Model Code Example: FQGAXAN

CONTROL	(X) SETTING RANGE	(A) SEAL MATERIAL	(N) MATERIAL/COATING
X Not Adjustable	A Replaceable Orifice 1 - 25 gpm (4 - 95 L/min.)	N Buna-N V Viton	Standard Material/Coating /AP Stainless Steel, Passivated



Flow fuse cartridges are used to maintain the position of a hydraulic actuator in the event of a hose or line break. The valve allows flow to and from the actuator but closes instantly if flow from the actuator exceeds the setting of the valve. NOTE: Because the valve responds so rapidly, it is sensitive to any transient flow above the valve setting.

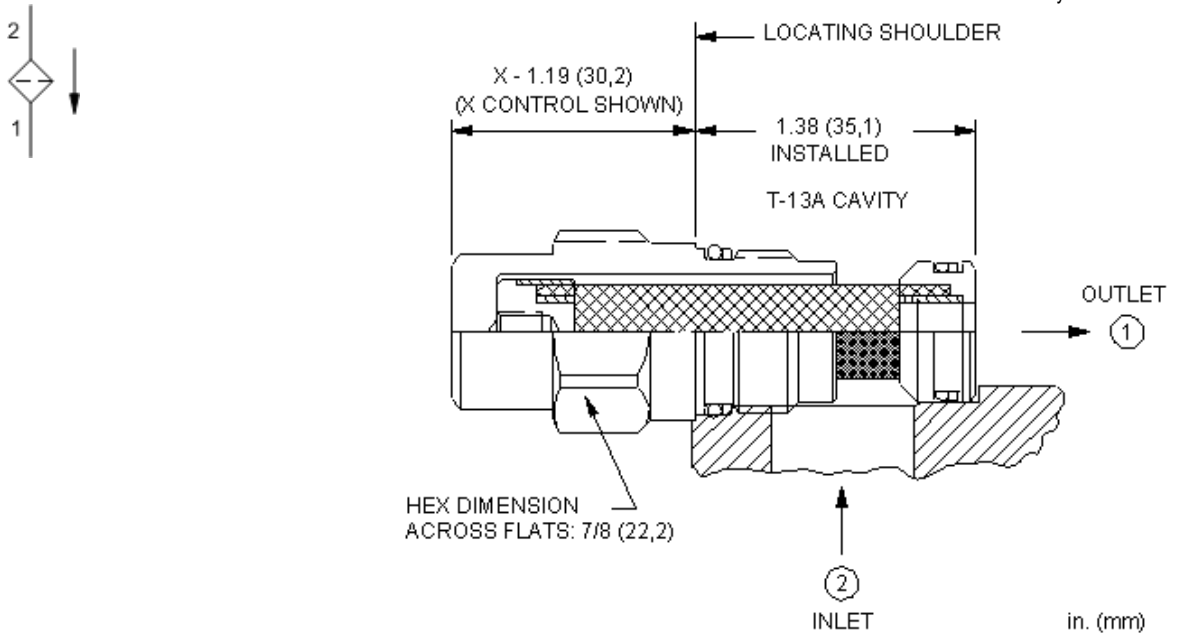
TECHNICAL DATA

NOTE: DATA MAY VARY BY CONFIGURATION. SEE CONFIGURATION SECTION.

Maximum Operating Pressure	5000 psi
Maximum Valve Leakage at 110 SUS (24 cSt)	5 in ³ /min.@1000 psi
Seal kit - Cartridge	Buna: 990018007
Seal kit - Cartridge	Polyurethane: 990018002
Seal kit - Cartridge	Viton: 990018006

CONFIGURATION OPTIONS
Model Code Example: FQIAXAN

CONTROL	(X) SETTING RANGE	(A) SEAL MATERIAL	(N) MATERIAL/COATING
X Not Adjustable	A Replaceable Orifice 1 - 50 gpm (4 - 200 L/min.)	N Buna-N V Viton	Standard Material/Coating /AP Stainless Steel, Passivated /LH Mild Steel, Zinc-Nickel



Sun filter elements are available as Surface Type (Last Chance) and Depth Style elements. The flow path is Port 2 to Port 1 and should not be used in reverse, even with a reverse free flow check valve installed. The elements have a high collapse pressure and are intended to be used in line with the system. Filter life will depend on initial system cleanliness and the amount of dirt ingress to the system when operating.

TECHNICAL DATA

NOTE: DATA MAY VARY BY CONFIGURATION. SEE CONFIGURATION SECTION.

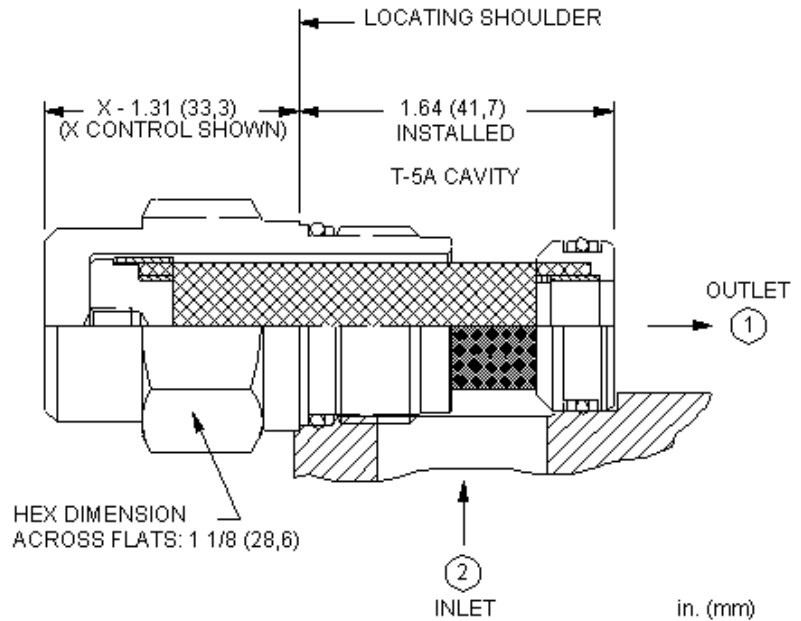
Maximum Operating Pressure	5000 psi
Seal kit - Cartridge	Buna: 990010007
Seal kit - Cartridge	EPDM: 990010014
Seal kit - Cartridge	Polyurethane: 990010002
Seal kit - Cartridge	Viton: 990010006

NOTES See Related Accessories for replacement elements.

CONFIGURATION OPTIONS

Model Code Example: FLDAXDN

CONTROL	(X) FILTER RATING	(D) SEAL MATERIAL	(N) MATERIAL/COATING
X Not Adjustable	D 40 Micron Nominal (Surface type)	N Buna-N E EPDM V Viton	Standard Material/Coating /AP Stainless Steel, Passivated /LH Mild Steel, Zinc-Nickel



Sun filter elements are available as Surface Type (Last Chance) and Depth Style elements. The flow path is Port 2 to Port 1 and should not be used in reverse, even with a reverse free flow check valve installed. The elements have a high collapse pressure and are intended to be used in line with the system. Filter life will depend on initial system cleanliness and the amount of dirt ingress to the system when operating.

TECHNICAL DATA

NOTE: DATA MAY VARY BY CONFIGURATION. SEE CONFIGURATION SECTION.

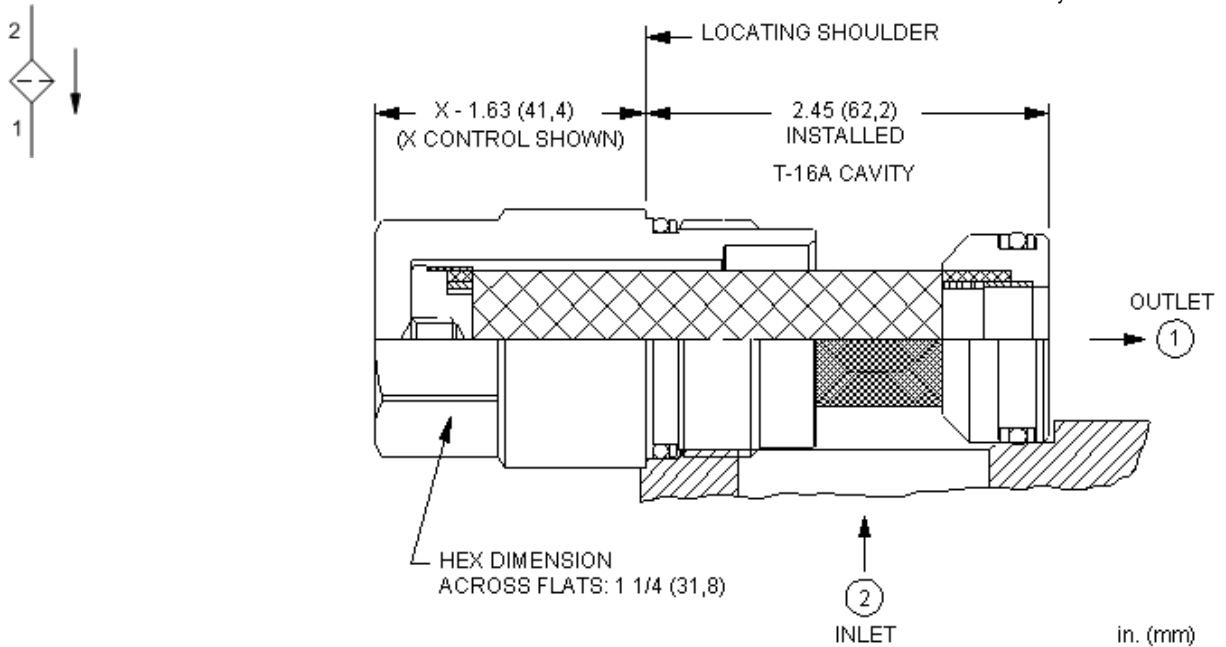
Maximum Operating Pressure	5000 psi
Seal kit - Cartridge	Buna: 990203007
Seal kit - Cartridge	Polyurethane: 990203014
Seal kit - Cartridge	Viton: 990203006

NOTES See Related Accessories for replacement elements.

CONFIGURATION OPTIONS

Model Code Example: FLFAXDN

CONTROL	(X) FILTER RATING	(D) SEAL MATERIAL	(N) MATERIAL/COATING
X Not Adjustable	D 40 Micron Nominal (Surface type)	N Buna-N E EPDM V Viton	Standard Material/Coating /AP Stainless Steel, Passivated /LH Mild Steel, Zinc-Nickel



Sun filter elements are available as Surface Type (Last Chance) and Depth Style elements. The flow path is Port 2 to Port 1 and should not be used in reverse, even with a reverse free flow check valve installed. The elements have a high collapse pressure and are intended to be used in line with the system. Filter life will depend on initial system cleanliness and the amount of dirt ingress to the system when operating.

TECHNICAL DATA

NOTE: DATA MAY VARY BY CONFIGURATION. SEE CONFIGURATION SECTION.

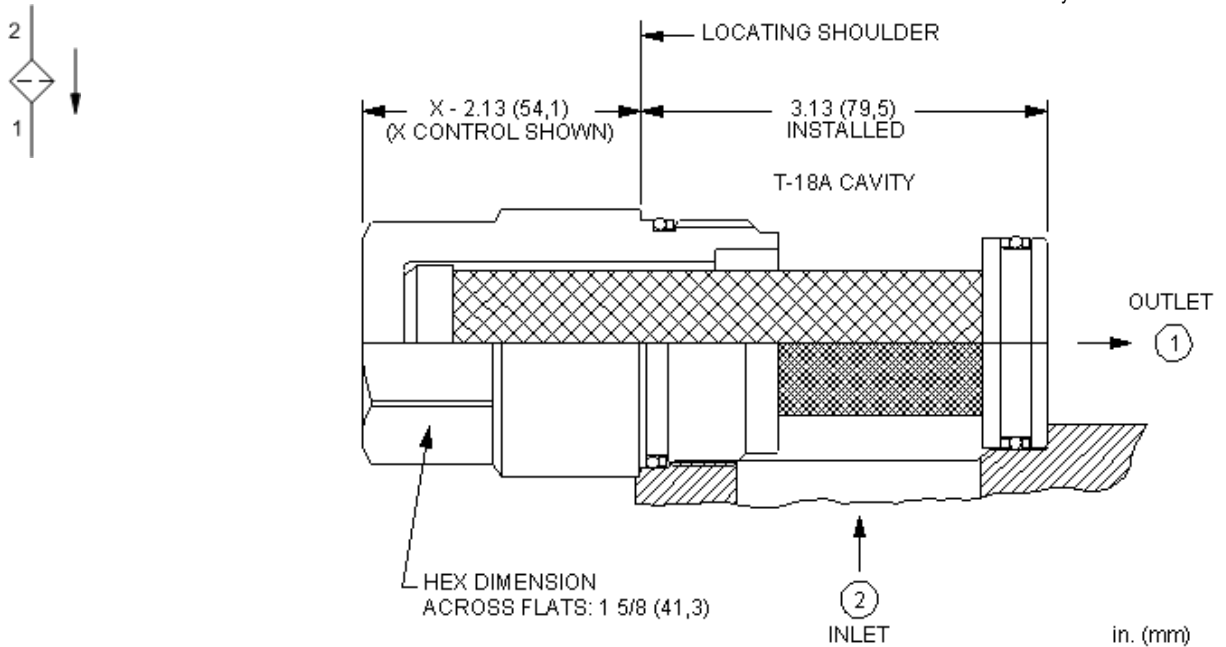
Maximum Operating Pressure	5000 psi
Seal kit - Cartridge	Buna: 990016007
Seal kit - Cartridge	EPDM: 990016014
Seal kit - Cartridge	Polyurethane: 990016002
Seal kit - Cartridge	Viton: 990016006

- NOTES**
- Capacity rating is dependent on the micron rating of the element. Stated flow capacity in the Technical Data table is based on the 40 micron rating. See performance curves.
 - See Related Accessories for replacement elements.

CONFIGURATION OPTIONS

Model Code Example: FLHAXDN

CONTROL	(X) FILTER RATING	(D) SEAL MATERIAL	(N) MATERIAL/COATING
X Not Adjustable	D 40 Micron Nominal (Surface type) A 3 Micron Nominal (Depth type) B 10 Micron Nominal (Depth type) C 25 Micron Nominal (Depth type) Z 1 Micron Nominal (Depth type)	N Buna-N E EPDM V Viton	Standard Material/Coating /AP Stainless Steel, Passivated /LH Mild Steel, Zinc-Nickel



Sun filter elements are available as Surface Type (Last Chance) and Depth Style elements. The flow path is Port 2 to Port 1 and should not be used in reverse, even with a reverse free flow check valve installed. The elements have a high collapse pressure and are intended to be used in line with the system. Filter life will depend on initial system cleanliness and the amount of dirt ingress to the system when operating.

TECHNICAL DATA

NOTE: DATA MAY VARY BY CONFIGURATION. SEE CONFIGURATION SECTION.

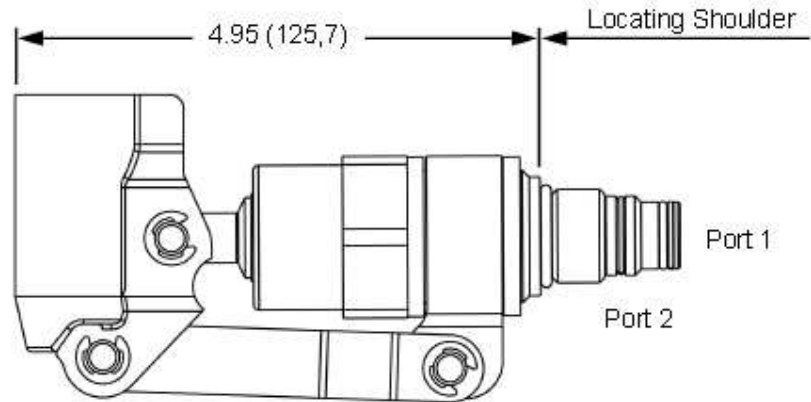
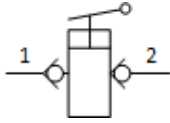
Maximum Operating Pressure	5000 psi
Seal kit - Cartridge	Buna: 990018007
Seal kit - Cartridge	EPDM: 990018014
Seal kit - Cartridge	Polyurethane: 990018002
Seal kit - Cartridge	Viton: 990018006

- NOTES**
- Capacity rating is dependent on the micron rating of the element. Stated flow capacity in the Technical Data table is based on the 40 micron rating. See performance curves.
 - See Related Accessories for replacement elements.

CONFIGURATION OPTIONS

Model Code Example: FLJAXDN

CONTROL	(X) FILTER RATING	(D) SEAL MATERIAL	(N) MATERIAL/COATING
X Not Adjustable	D 40 Micron Nominal (Surface type) A 3 Micron Nominal (Depth type) B 10 Micron Nominal (Depth type) C 25 Micron Nominal (Depth type) Z 1 Micron Nominal (Depth type)	N Buna-N E EPDM V Viton	Standard Material/Coating /AP Stainless Steel, Passivated /LH Mild Steel, Zinc-Nickel



in (mm)

This valve is a screw-in, manual hand pump cartridge with dual integrated check valves.

TECHNICAL DATA

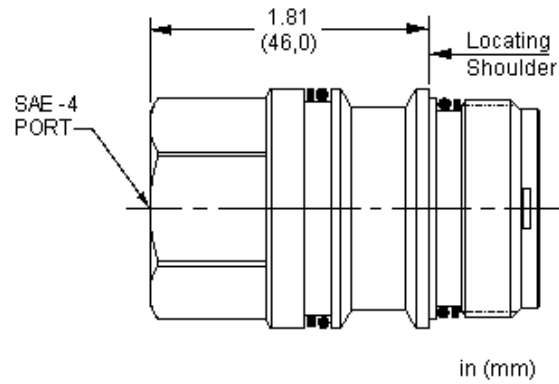
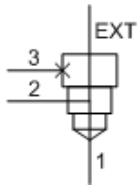
NOTE: DATA MAY VARY BY CONFIGURATION. SEE CONFIGURATION SECTION.

Maximum Operating Pressure	3000 psi
Seal kit - Cartridge	Buna: 99C102007
Seal kit - Cartridge	Viton: 99C102006

CONFIGURATION OPTIONS

Model Code Example: HPUAXXN

CONTROL	(X) SPOOL CONFIGURATION	(X) SEAL MATERIAL	(N)
X Mechanical Actuation	X -	N Buna-N	



This cavity plug connects ports 1 and 2 to the external port at the top of the hex and blocks port 3.

TECHNICAL DATA

NOTE: DATA MAY VARY BY CONFIGURATION. SEE CONFIGURATION SECTION.

Maximum Operating Pressure	5000 psi
Port Configuration	3 Port
Seal kit - Cartridge	Buna: 990017007
Seal kit - Cartridge	Polyurethane: 990017002
Seal kit - Cartridge	Viton: 990017006

CONFIGURATION OPTIONS

Model Code Example: XHOAEXN

ADJUSTMENT RANGE	(X)	SEAL MATERIAL	(N)
X -		N Buna-N	
		V Viton	



Sun offers a selection of cavity adaptors used to convert one cavity to another. When installed in a Sun T-17A cavity, this adaptor converts to a Sun T-11A cavity.

TECHNICAL DATA

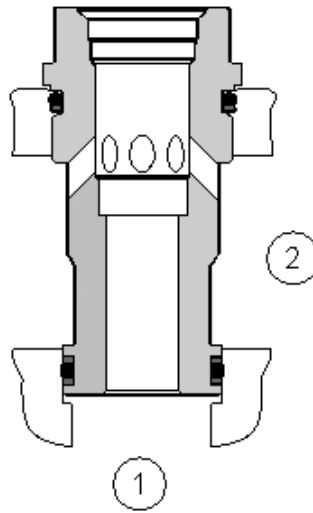
NOTE: DATA MAY VARY BY CONFIGURATION. SEE CONFIGURATION SECTION.

Maximum Operating Pressure	5000 psi
Seal kit - Cartridge	Buna: 990017007
Seal kit - Cartridge	Polyurethane: 990017002
Seal kit - Cartridge	Viton: 990017006

CONFIGURATION OPTIONS

Model Code Example: XHOC EXN

CONTROL	(E) ADJUSTMENT RANGE	(X) SEAL MATERIAL	(N) MATERIAL/COATING
E T-11A Cavity	X -	N Buna-N V Viton	Standard Material/Coating /LH Mild Steel, Zinc-Nickel



Sun offers a selection of cavity adaptors used to convert one cavity to another. When installed in a Sun T-16A cavity, this adaptor converts to a Sun T-10A cavity.

TECHNICAL DATA

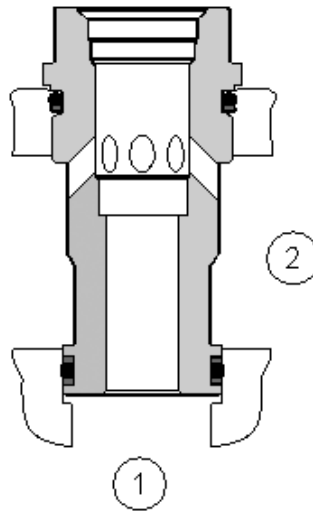
NOTE: DATA MAY VARY BY CONFIGURATION. SEE CONFIGURATION SECTION.

Maximum Operating Pressure	5000 psi
Port Configuration	2 Port
Seal kit - Cartridge	Buna: 990016007
Seal kit - Cartridge	Polyurethane: 990016002
Seal kit - Cartridge	Viton: 990016006

CONFIGURATION OPTIONS

Model Code Example: XIOAF

ADJUSTMENT RANGE	SEAL MATERIAL
X -	N Buna-N V Viton



Sun offers a selection of cavity adaptors used to convert one cavity to another. When installed in a Sun T-16A cavity, this adaptor converts to a Sun T-13A cavity.

TECHNICAL DATA

NOTE: DATA MAY VARY BY CONFIGURATION. SEE CONFIGURATION SECTION.

Maximum Operating Pressure	5000 psi
Port Configuration	2 Port
Seal kit - Cartridge	Buna: 990016007
Seal kit - Cartridge	Polyurethane: 990016002
Seal kit - Cartridge	Viton: 990016006

CONFIGURATION OPTIONS

Model Code Example: **XIOAGXN**

SPOOL CONFIGURATION	(X)	SEAL MATERIAL	(N)	MATERIAL/COATING
X -		N Buna-N		Standard Material/Coating
		V Viton		/AP Stainless Steel, Passivated



Sun offers a selection of cavity adaptors used to convert one cavity to another. When installed in a Sun T-16A cavity, this adaptor converts to a Sun T-5A cavity.

TECHNICAL DATA

NOTE: DATA MAY VARY BY CONFIGURATION. SEE CONFIGURATION SECTION.

Maximum Operating Pressure	5000 psi
Seal kit - Cartridge	Buna: 990016007
Seal kit - Cartridge	Polyurethane: 990016002
Seal kit - Cartridge	Viton: 990016006

CONFIGURATION OPTIONS

Model Code Example: XIOC DXN

CONTROL	(D) ADJUSTMENT RANGE	(X) SEAL MATERIAL	(N)
D -	X -	N Buna-N V Viton	



Sun offers a selection of cavity adaptors used to convert one cavity to another. When installed in a Sun T-16A cavity, this adaptor converts to a Sun T-3A cavity.

TECHNICAL DATA

NOTE: DATA MAY VARY BY CONFIGURATION. SEE CONFIGURATION SECTION.

Maximum Operating Pressure	5000 psi
Seal kit - Cartridge	Buna: 990316007
Seal kit - Cartridge	Polyurethane: 990016002
Seal kit - Cartridge	Viton: 990016006

CONFIGURATION OPTIONS

Model Code Example: XIOCCXN

ADJUSTMENT RANGE	(X)	SEAL MATERIAL	(N)
X -		N Buna-N	
		E EPDM	
		V Viton	



Sun offers a selection of cavity adaptors used to convert one cavity to another. When installed in a Sun T-24A cavity, this adaptor converts to a Sun T-23A cavity.

TECHNICAL DATA

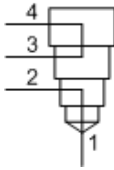
NOTE: DATA MAY VARY BY CONFIGURATION. SEE CONFIGURATION SECTION.

Maximum Operating Pressure	3000 psi
Seal kit - Cartridge	Buna: 990024007
Seal kit - Cartridge	Polyurethane: 990024002
Seal kit - Cartridge	Viton: 990024006

CONFIGURATION OPTIONS

Model Code Example: XQOCPXN

CONTROL	(P) ADJUSTMENT RANGE	(X)	SEAL MATERIAL	(N)
P T-23A Cavity	X -		N Buna-N	
M T-21A Cavity			V Viton	
N T-22A Cavity				



This cavity plug is open from port 1 to port 2, and separately from port 3 to port 4.

TECHNICAL DATA

NOTE: DATA MAY VARY BY CONFIGURATION. SEE CONFIGURATION SECTION.

Seal kit - Cartridge	Buna: 990031007
Seal kit - Cartridge	Viton: 990031006

CONFIGURATION OPTIONS

Model Code Example: XROS

CONTROL

X -

ADJUSTMENT RANGE

X -

SEAL MATERIAL

N Buna-N

V Viton

driving fluid power innovation since 1970



www.sunhydraulics.com



Sun Hydraulics Headquarters
Sarasota, Florida USA
+1 941 362 1200

Custom Fluidpower Pty Ltd
(A Sun Hydraulics Company)
Newcastle, Australia
+61 02 4953 5777
sales@custom.com.au

Sun Hydraulics Limited
Coventry, England
+44 2476 217 400
sales@sunuk.com

Sun Hydraulics Korea Corp.
Incheon, Korea
+82 3281 31350
sales@sunhydraulics.co.kr

Sun Hydraulik GmbH
Erkelenz, Germany
+49 2431 80910
sales@sunhydraulik.de

Sun Hydraulics China Co. Ltd.
Shanghai, P.R. China
+86 2162 375885
sunchinainfo@sunhydraulics.com

Sun Hydraulics Corp. (India)
Bangalore, India
+91 8028 456325
sunindiainfo@sunhydraulics.com

Sun Hydraulics Corp. (S.America)
Rosario, Argentina
+54 9 341 584 3075
ventas@sunhydraulics.com